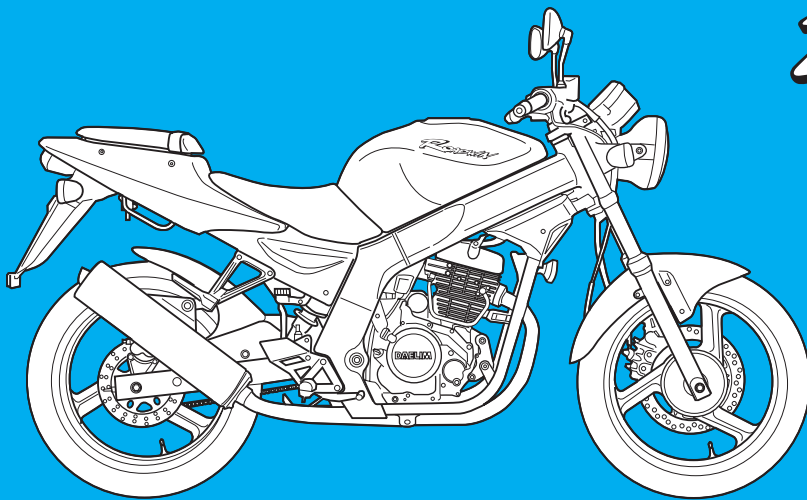


DAELIM

OWNER'S MANUAL



ROADWIN

IMPORTANT NOTICE

● OPERATOR AND PASSENGER

This motorcycle is designed to carry the operator and one passenger.

● ON-ROAD USE

This motorcycle is designed to be used only on the road.

● READ THIS OWNER'S MANUAL CAREFULLY

Pay special attention to statements preceded by the following words:

▲ WARNING

Indicates a strong possibility of severe personal injury or death if instructions are not followed.

▲ CAUTION

Indicates a possibility of personal injury or equipment damage if instructions are not followed.

▲ NOTE

Gives helpful information.

This manual should be considered a permanent part of the motorcycle and should remain with the motorcycle when resold or otherwise transferred to a new owner or operator.

CONTENTS

SPECIFICATION	3	EQUIPMENT USAGE	17
OPERATION INSTRUCTION	4	STEERING LOCK	17
SAFETY PRECAUTIONS	4	SEAT	17
PRIOR TO STARTING VEHICLE	5	HELMET HOLDER	18
CORRECT ATTIRE	5	STORAGE COMPARTMENT	18
OPERATION	6	SELF INSPECTIONS BEFORE OPERATION	19
CARGO	7	BRAKES	19
MODIFICATION	8	TIRES	21
ATTACHMENT	8	CLUTCH	23
MUFFLER	8	FUEL	24
PARTS LOCATION	9	ENGINE OIL	25
METER READING AND USAGE	12	LIGHTS AND WINKER	25
METER	12	BACK MIRROR	26
TACHOMETER	12	LICENSE PLATE	26
FUEL GAUGE	13	OPERATION	26
INDICATOR LAMPS	13	PRE-RIDE INSPECTION	26
SWITCH OPERATION	14	STARTING THE ENGINE	27
MAIN SWITCH	14	IF ENGINE CANNOT BE STARTED	28
KEYS	15	RUNNING-IN	28
HEADLIGHT	15	RIDING	29
STARTER BUTTON	16	BRAKING	30
WINKER SWITCH	16	PARKING	30
HORN BUTTON	16		

MAINTENANCE	31	SAFE DRIVING	51
MAINTENANCE SCHEDULE	32	PREPARATION BEFORE DRIVING	51
TOOL KIT	34	DRIVING METHOD	52
FRAME AND ENGINE NUMBERS	34	DRIVING POSITION	52
MAINTENANCE PRECAUTIONS	35	PRECAUTION WHEN DRIVING	53
THROTTLE OPERATION	35	STARTING	54
AIR CLEANER	36	TURNING METHOD	55
ENGINE OIL	37	PRINCIPLE OF TURN	55
SPARK PLUG	38	EFFECT OF SPEED	55
DRIVE CHAIN	39	3 POSITIONS OF TURNING	56
WHEEL REMOVAL	41	TURNING METHOD	57
BRAKE PAD WEAR	43	PRECAUTION WHEN TURNING	58
IDLE SPEED	44	BRAKING METHOD	59
SIDE STAND	44	BASIC PRINCIPLE OF BRAKE(FRICTION FORCE)	59
BATTERY	45	RESTRAINT OF BRAKING EFFECT (INERTIA)	59
FUSE REPLACEMENT	46	BRAKING METHOD	60
BULB REPLACEMENT	47	COMPARISION OF BRAKING DISTANCE	60
CABLE RUBBER PART	49	IMPACT WHEN COLLISION	60
CLEANING	49	WIRING DIAGRAM	61
STORAGE GUIDE	50		

SPECIFICATION

ITEM	DATA	ITEM	DATA
LENGTH × WIDTH × HEIGHT	2,010 × 740 × 1,040mm	FUEL TANK CAPACITY	16.0 l
WHEEL BASE	1,380mm	ENGINE OIL CAPACITY	1.1 l
GROUND CLEARANCE	150mm	TIRE SIZE	FR. 110/70-17 54P
SEAT HEIGHT	780mm		RR. 140/60-17 69P
DRY WEIGHT	130kgf	SUSPENSION	FR. TELESCOPIC
PASSENGER	OPERATOR AND ONE PASSENGER		RR. SINGLE ARM
ENGINE TYPE	AIR & OIL COOLED 4 CYCLE, SOHC	BRAKE	FR. HYDRAULIC DISK
			RR. HYDRAULIC DISK
PISTON DISPLACEMENT	124.1cc	SPARK PLUG	CR8EH-9
BORE AND STROKE	56.5 × 49.5mm	FUSE	15A
STARTING SYSTEM	START MOTOR	HEADLIGHT BULB	12V 35W/35W
TRANSMISSION TYPE	5 STEPS RETURN	STOP/TAIL LIGHT BULB	12V 21/5W
IGNITION SYSTEM	DC-C.D.I	WINKER BULB	12V 10W × 4
BATTERY CAPACITY	12V 10Ah(MF TYPE)	POSITION LIGHT BULB	12V 5W

OPERATION INSTRUCTION

This manual describes matters pertaining to correct operation, safe operation and simple maintenance of the vehicle you purchased.

To ensure more comfortable and safer operation, make sure to read this manual carefully prior to operation.

- The photographs and drawings shown in this manual may differ from those of actual vehicles due to changes in vehicle specifications and modifications made.
- This motorcycle is designed for 2 riders including the operator.

⚠ CAUTION

- Do not use polluted gasoline.
Using polluted gasoline will cause rust inside the fuel tank, and will close the supply of fuel to the carburetor, leading to an improper engine starting or may cause serious damage to an engine.
- Do not use polluted or low-grade oil.
Always use genuine oil to protect and extend motorcycle performance and its life span.
- If any failure occurs due to the use of polluted gasoline or oil, such failure will be excluded from being eligible for repairs under the warranty.

SAFETY PRECAUTIONS

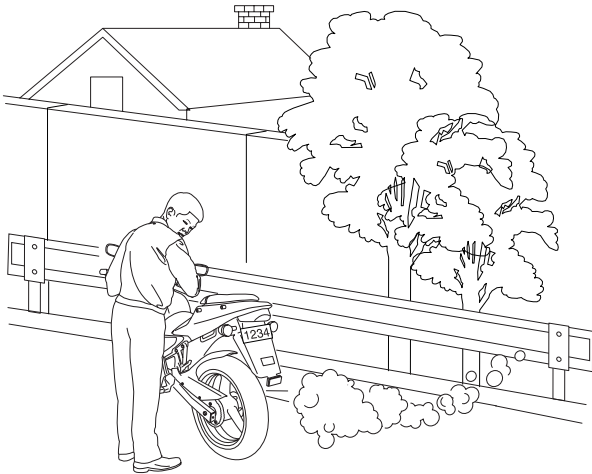
- Careful driving and the wearing of proper attire and safety equipment are the most important factors in the safe operation of the vehicle. Please obey traffic regulations and do not be hurried and careless.
- Many new vehicle owners operate their newly purchased vehicles with great care and attention to safety factors. However, after becoming accustomed to the operations are often discarded, which can lead to accidents. Please don't let this happen to you and always approach the operation of your vehicle with the safety considerations needed.

When operating the motorcycle, always keep in mind and obey the notes of precaution printed on the “**Safety Precaution Label**” attached to the motorcycle.

- Always wear helmet.
- Always put on gloves.
- Observe posted speed limits.
- Park the motorcycle away from people (especially children) as the muffler can get very hot.
- For safety, do not illegally modify the vehicle.
- Regularly conduct specified maintenance inspections.
<Maintenance Inspection Points>
Brakes, Tires, Oil, Lights, Horn, Instruments

PRIOR TO STARTING VEHICLE

- Read user's manual carefully.
- Conduct maintenance checks prior to operation.
- Always maintain motorcycle in clean status and carry out specified maintenance checks.
- Make sure to stop engine and stay away from fire when fueling.
- Exhaust gas contains harmful substance such as carbon monoxide. Start engine in well-ventilated places.

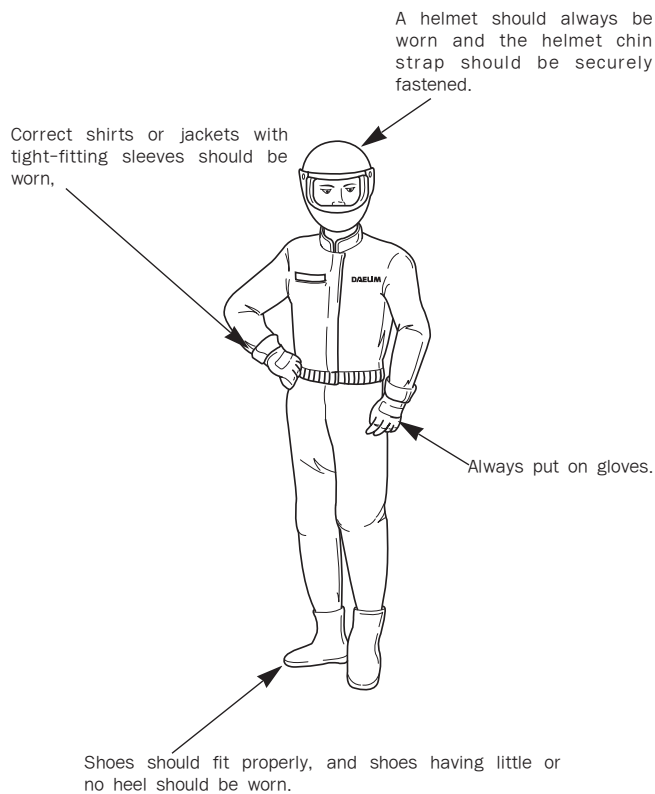


CORRECT ATTIRE

- Always make sure to wear helmet for safety. Wear gloves and safety goggles.
- Do not wear uniforms which might hinder operation. It is dangerous if the uniform is caught by brake lever or by the rotating part of drive chain.
- Do not wear slippers which might obstruct brake operation or transmission gear operation.
- Many automobile/motorcycle accidents happen because the automobile driver does not “see” the motorcyclist. Make yourself conspicuous to help avoid the accident that wasn't your fault :
 - Wear bright or reflective clothing.
 - Don't ride in another motorist's “blind spot”.

⚠ WARNING

- Not wearing a helmet increases the chance of serious injury or death in a crash.
- Be sure you and your passenger always wear a helmet, eye protection and other protective apparel when you ride.

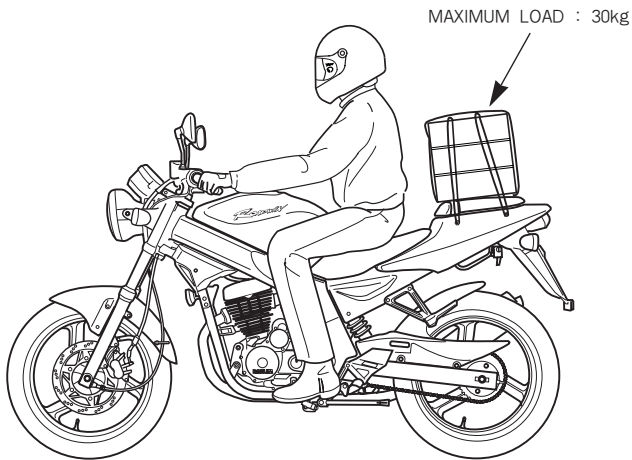


OPERATION

- Operators should naturally fix bodies to keep smooth driving.
- Please check whether or not you are unnaturally strained and strung up.
- Driving pose has a great influence on safe operation. Please always maintain the center of your body in the middle of seat. Especially do not sit at the rear seat because it may lessen the weight of front wheel and cause trembling steering wheel.
- A passenger should hold on to the vehicle or the operator with both hands and keep both feet on the pillion step bar.
- When wanting to turn, slightly lean to body toward the direction of the turn. It is unsafe if the body is not moved in union with the vehicle.
- Curvy roads and poor, unpaved roads constantly change in surface quality. Driving on these roads can be unsafe if certain safety precautions are not followed.
- In order to safely drive through these driving conditions, anticipate coming road conditions, slow down to at least half the normal speed, and relax your shoulders and wrists while securely holding the handles.
- Driving with one or both hands not holding the handles or the front wheel lifted can cause severe injury or death of the driver resulted from the turnover of the vehicle.

CARGO

- When carrying cargo, you must keep in mind that operating the motorcycle, especially when turning, will be different.
- Make sure not to overload the motorcycle with goods as this can make the motorcycle unstable during operation.



⚠ WARNING

- Overloading or improper loading can cause a crash and you can be seriously hurt or killed.
- Follow all load limits in this manual.

⚠ CAUTION

- Only load cargo in or on designated areas as placing or fastening cargo to other areas can cause damage to the vehicle.
- Do not place articles between the frame body cover and engine as this can burn the goods.
- Do not attach large or heavy items (such as a sleeping bag or tent) to the handle bars or fork. Unstable handling or slow steering response may result.

MODIFICATION

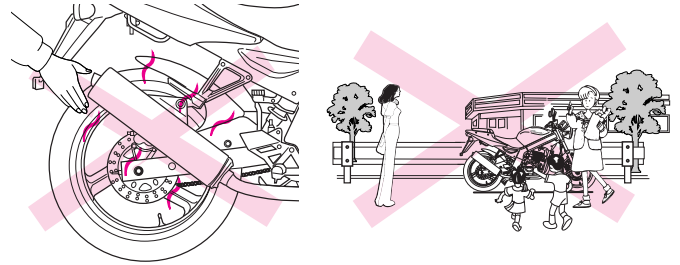
- Modification of vehicle structure or function deteriorates manipulability or causes exhaust noise to become louder shortening the vehicle life. These modifications are not only prohibited by law but also are the acts harmful to other people. Modifications are not covered by warranty.

ATTACHMENT

- Except designated attachment by DAELIM MOTOR CO., LTD., don't attach any extra lighting device, because it may cause an early discharging of battery.
- Carefully inspect the accessory to make sure it does not obscure any lights, reduce ground clearance and banking angle, or limit suspension travel, steering travel or control operation.
- Do not add electrical equipment that will exceed the motorcycle's electrical system capacity. A blown fuse could cause a dangerous loss of lights or engine power.
- This vehicle was not designed to pull a sidecar or trailer. Handling may be seriously impaired if so equipped.

MUFFLER

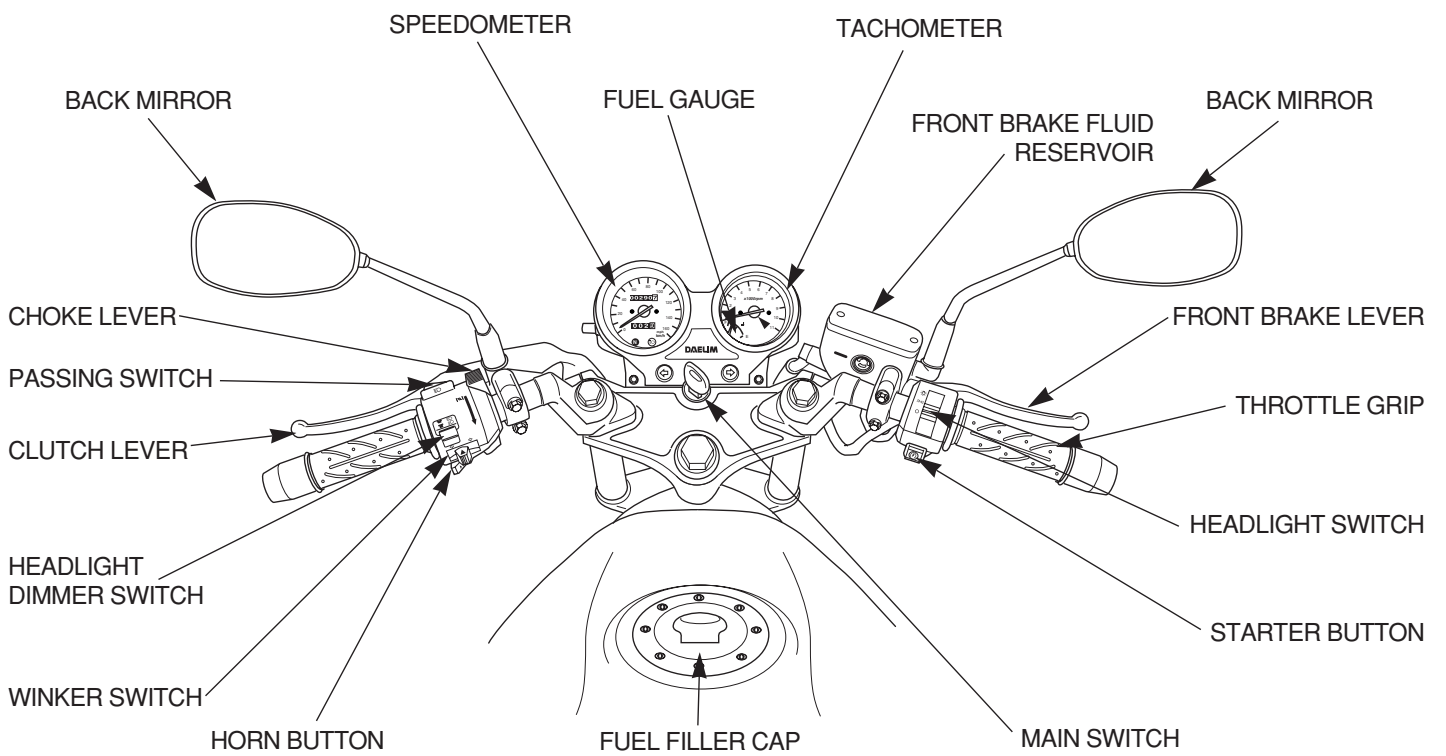
- Pay particular attention to fellow passenger so that he/she can prevent getting burnt by the hot muffler during travel.



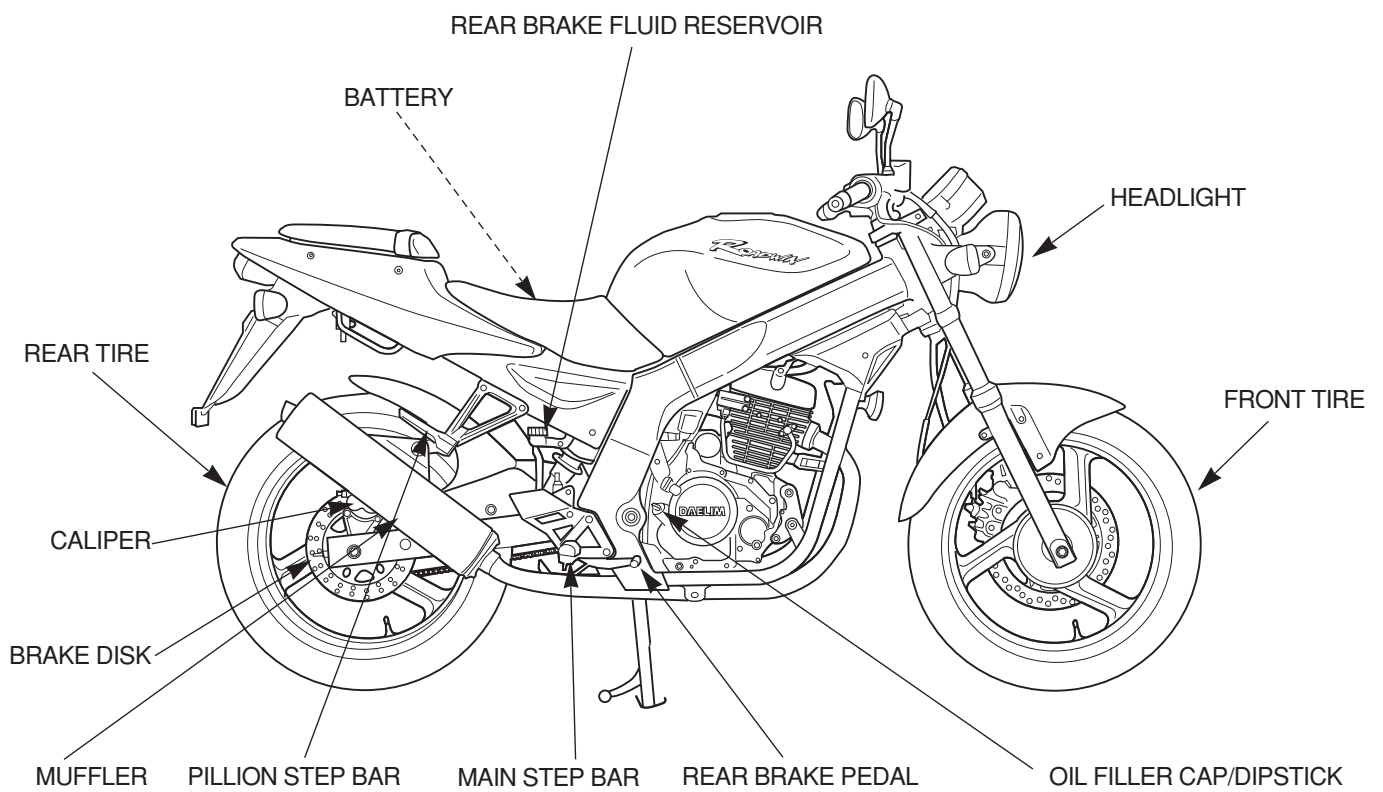
⚠ CAUTION

- Do not park in the place where many pedestrians are passing through. Pedestrians or children can be burned by contacting with the muffler.
- Fellow passenger care must pay enough attention not to be burn by contacting with the muffler.
- If haystack or vinyl is stuck to the muffler, fire can be occurred.

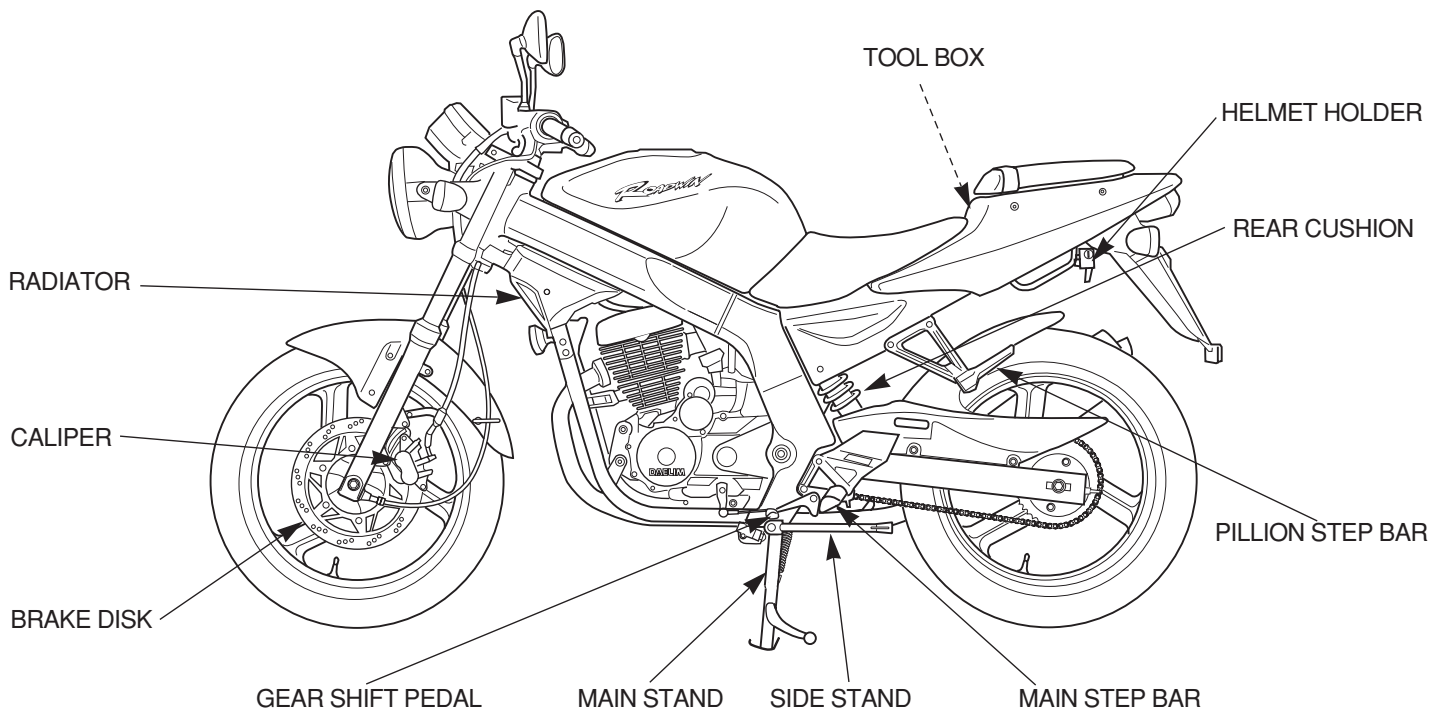
PARTS LOCATION



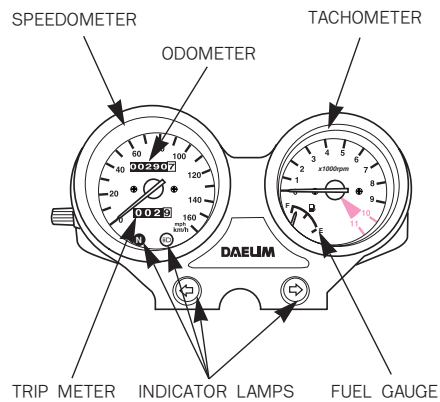
PARTS LOCATION



PARTS LOCATION



METER READING AND USAGE



<SPEEDOMETER>

Shows riding speed.

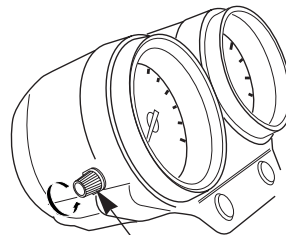
<ODOMETER>

Shows accumulated mileage.

<TRIPMETER>

Shows mileage per trip.

To reset the tripmeter, turn the tripmeter knob to the direction of arrow.



TRIPMETER RESET KNOB

TACHOMETER

Shows engine revolutions per minute.

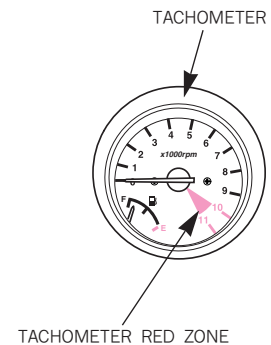
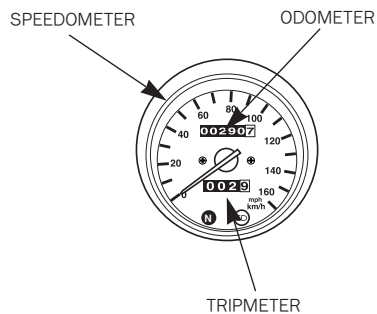
<TACHOMETER RED ZONE>

Never allow the tachometer needle to enter the red zone, even after the engine has been broken in.

CAUTION

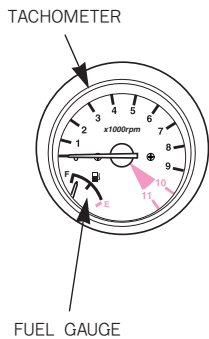
- Running the engine beyond recommended maximum engine speed (the beginning of the tachometer red zone) can damage the engine.

METER



FUEL GAUGE

Indicates amount of gasoline in fuel tank. (The fuel gauge needle always indicates gasoline level regardless of whether main switch is in "OFF" position or in "ON" position.) If needle is within E mark, immediately fill gasoline. Balance at this time is approximately 1.2 litres.



INDICATOR LAMPS

<HIGH BEAM INDICATOR>

Lights when the headlight is on high beam. (blue)

<NEUTRAL INDICATOR>

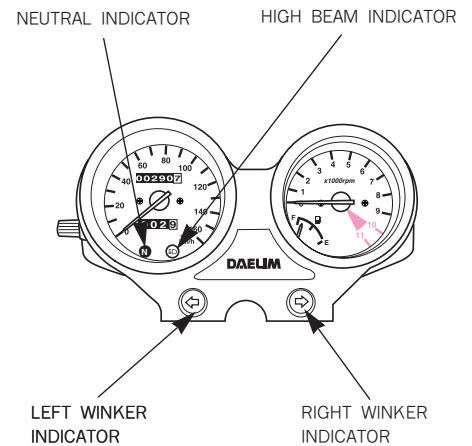
Lights when the transmission is in neutral. (green)

<LEFT WINKER INDICATOR>

Flashes when the left turn signal operates. (green)

<RIGHT WINKER INDICATOR>

Flashes when the right turn signal operates. (green)



⚠ WARNING

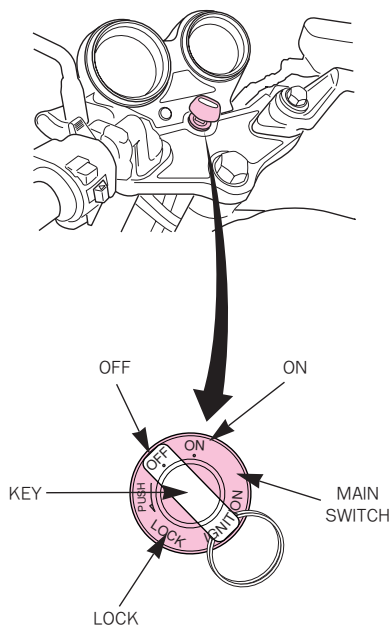
- To avoid running out of fuel that may result in a sudden stop.

SWITCH OPERATION

MAIN SWITCH

The main switch is used to turn on or turn off engine.

The main switch is below the indicator panel.



Key position	Function	Key Removal
ON	Starts engine. Power is supplied to electrical circuits.	Key cannot be removed
OFF	Stops engine. Cuts off all electrical circuits.	Key can be removed
LOCK	Locks steering wheel. Cuts off all electrical circuits and steering wheel is locked.	Key can be removed

⚠ WARNING

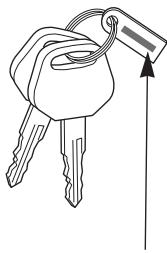
- Do not manipulate main switch key during operation. If the main switch key is placed on "Off" or "Lock" position, all electrical system will not function. Never operate the main switch key during travel as it might cause unexpected accidents, If it is necessary to remove the main switch key, stop the vehicle first prior to removing.

⚠ CAUTION

- Prior to dismounting from the motorcycle, make sure to lock the steering wheel and remove key.
- If the key is left in "ON" position without starting engine, battery is discharged.
- Do not use a number of keys together with a metal key holder. The keys and the key holder may cause scratches or other damage to the cover while operating the motorcycle. (Recommend cloth or leather key holders)

KEYS

This motorcycle has two keys and a key number plate. You will need the key number if you ever have to replace a lost key. Store the plate in a safe place.



KEY NUMBER PLATE


▲ NOTE

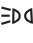
- Do not drop the keys or set heavy objects on them.
- Do not grind, drill or in any way alter the original shape of the keys.
- Keep the keys away from magnetic objects.

HEADLIGHT

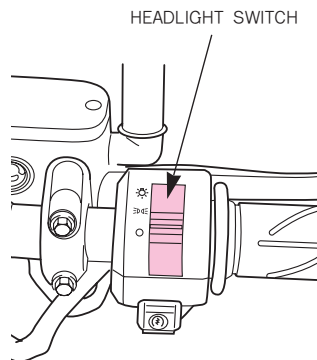
<HEADLIGHT SWITCH>

The headlight switch has three positions; ,  and OFF marked by a dot to the below of .


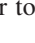
 : Headlight, taillight, position light and meter lights on.

 : Position light, taillight and meter lights on.

OFF (dot) : Headlight, taillight, position light and meter lights off.

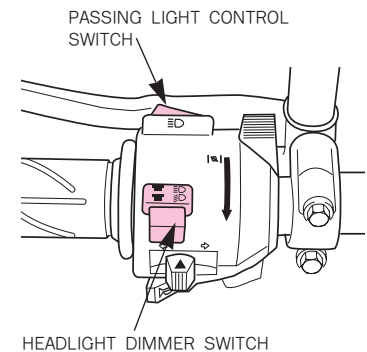


<HEADLIGHT DIMMER SWITCH>

Push the dimmer switch to  (HI) to select high beam or to  (LO) to select low beam.

<PASSING LIGHT CONTROL SWITCH>

When this switch is pressed, the headlight flashes on to signal approaching cars or when passing.



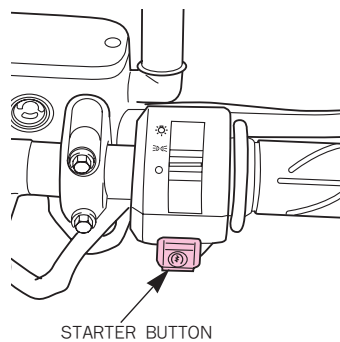
▲ CAUTION

- Use the high beam only in the suburban road or when the usage of the high beam not hinder the safe driving of the car ahead.

STARTER BUTTON

The starter button is next to the throttle grip.

When the starter button is pressed, the starter motor cranks the engine. See page 24 for the starting procedure.

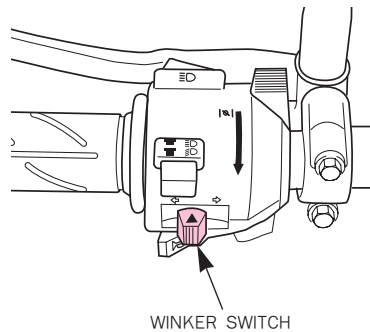


⚠ CAUTION

- Do not press starter button repeatedly because it consumes great amount of power causing battery to be exhausted sooner.

WINKER SWITCH

Move to ⇐(L) to signal a left turn, ⇒(R) to signal a right turn. Press to turn signal off.

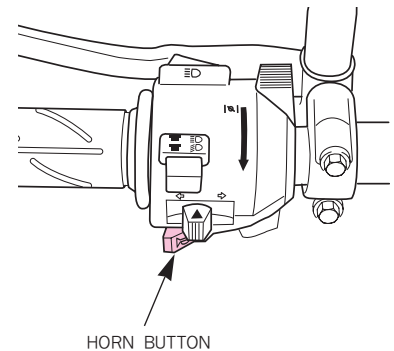


⚠ CAUTION

- The winker switch does not automatically turn back to its original position after completing the turn. Please set the switch back to its center position after turning.

HORN BUTTON

Press the button to sound the horn.



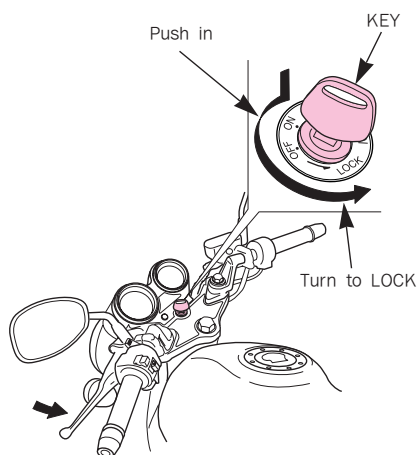
EQUIPMENT USAGE

STEERING LOCK

To lock the steering, turn the handlebars all the way to the left or right, turn the key to LOCK while pushing in.

Remove the key.

To unlock the steering, turn the key to OFF while pushing in.



⚠ WARNING

- Do not turn the key to LOCK while riding the vehicle; loss of vehicle control will result.

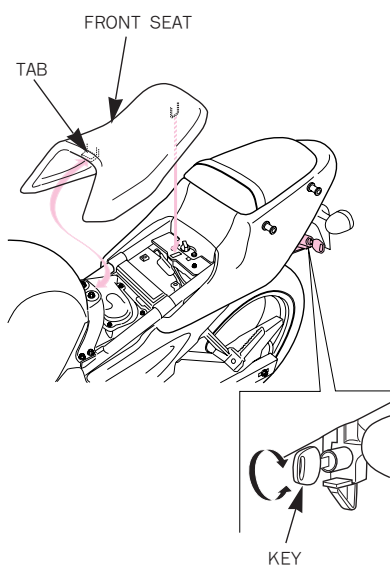
SEAT

<FRONT SEAT>

To remove the front seat, insert the ignition key into the seat lock.

Turn the ignition key counterclockwise, and then pull the seat back and up.

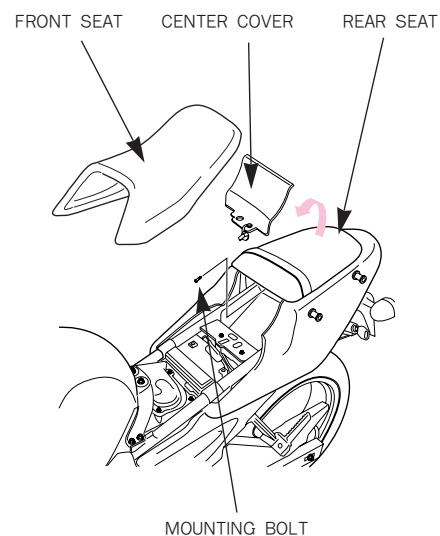
To install the front seat, insert the tab into the recess under the frame and push down on the rear of the seat.



<REAR SEAT>

To remove the rear seat, remove both front seat and center cover, remove the seat mounting bolt, and then pull the seat front and up.

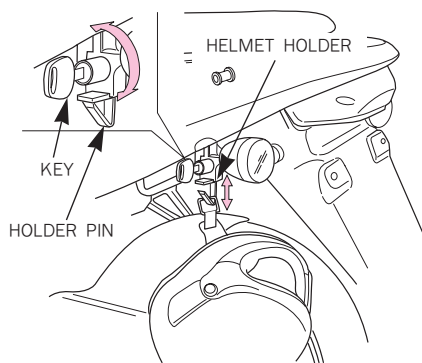
To install the seat, insert the tab into the recess under the frame and tighten the mount bolt securely.



HELMET HOLDER

The helmet holder is on the left side below the seat. Insert the ignition key and turn it clockwise to unlock.

Hang your helmet on the holder pin. Turn the key counterclockwise to lock the holder and then remove the key.



⚠ WARNING

- The helmet holder is designed for helmet security while parked. Do not ride with a helmet attached to the holder; the helmet may interfere with safe operation and result in loss of control.

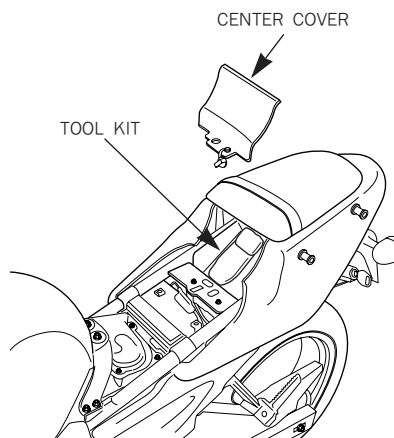
STORAGE COMPARTMENT

The storage compartment is under the seat. This owner's manual and the tool kit should be stored in the compartment.

Remove the front seat (page 17).

Pull out the center cover while turning the lever to the left.

Reinstall the center cover by aligning its tabs and turning the lever to the right.



⚠ NOTE

- When washing your motorcycle, be careful not to flood this area with water.
- This compartment is for light weight items.

SELF INSPECTIONS BEFORE OPERATION

Self inspect the motorcycle and have regular maintenance inspections for increased safety and the prevention of accidents.

Self inspections before operation should be performed on a daily basis prior to operating the motorcycle.

BRAKES

Both the front and rear brake are the hydraulic disk type.

As the brake pad wear, the brake fluid level drops.

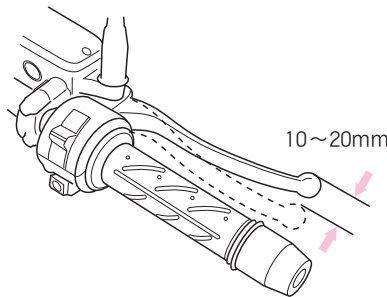
There are no adjustments to perform, but fluid level and pad wear must be inspected periodically. The system must be inspected frequently to ensure there are no fluid leaks.

If the control lever or pedal free travel becomes excessive and the brake pads are not worn beyond the recommended limit, there is probably air in the brake system and it must be bled. See your authorized Daelim dealer for this service.

[FRONT BRAKE] <BRAKE LEVER FREE PLAY>

Lightly squeeze the brake lever until tension is felt to check for an appropriate amount of free play. No free play in the brake lever or overly loose brake lever is indication of a problem in the brake system.

BRAKE LEVER FREE PLAY : 10~20mm



<FRONT BRAKE FLUID LEVEL>

⚠ WARNING

- Brake fluid may cause irritation. Avoid contact with skin or eyes. In case of contact, flush thoroughly with water and call a doctor if your eyes were exposed.
- KEEP OUT OF REACH OF CHILDREN

⚠ CAUTION

- When adding brake fluid, be very careful not to allow foreign materials to enter the reserve tank.
- Do not fill past upper level. This can cause brake fluid to leak out of the reserve tank.
- Do not let brake fluid contact vehicle parts as this damages painted areas. If oil contacts parts, quickly clean the fluid off using a dry cloth.
- Use recommended brake fluid as other types can undergo chemical changes.

Check that the fluid level is above the LOWER level mark with the motorcycle in an upright position.

Brake fluid must be added to the reservoir whenever the fluid level begins to reach the LOWER level mark.

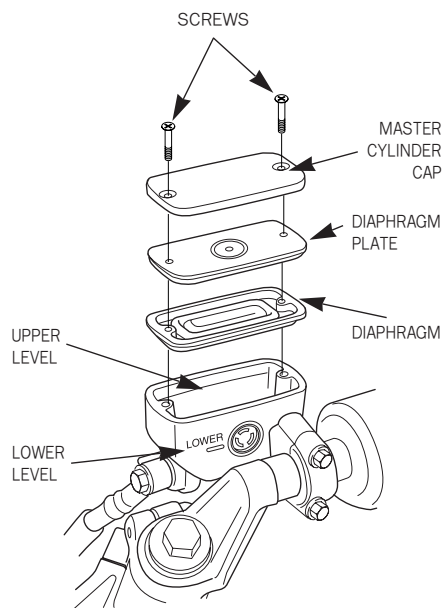
1. Remove the screws and master cylinder cap, diaphragm plate, and diaphragm.
2. Fill the reservoir with recommended brake fluid from a sealed container up to the UPPER level mark.

RECOMMENDED BRAKE FLUID is DOT3

3. Reinstall the diaphragm, diaphragm plate, and master cylinder cap.
4. Tighten the screws securely.

Other checks :

- Make sure there are no fluid leaks.
- Check for deterioration or cracks in the hose and fitting.
- Check the brake pad for wear when refilling with brake fluid.



[REAR BRAKE]

<REAR BRAKE FLUID LEVEL>

⚠ WARNING

- Brake fluid may cause irritation. Avoid contact with skin or eyes. In case of contact, flush thoroughly with water and call a doctor if your eyes were exposed.
- KEEP OUT OF REACH OF CHILDREN

⚠ CAUTION

- When adding brake fluid, be very careful not to allow foreign materials to enter the reserve tank.
- Do not fill past upper level. This can cause brake fluid to leak out of the reserve tank.
- Do not let brake fluid contact vehicle parts as this damages painted areas. If oil contacts parts, quickly clean the fluid off using a dry cloth.
- Use recommended brake fluid as other types can undergo chemical changes.

Check the brake fluid level with the motorcycle in an upright position. Brake fluid must be added to the reservoir whenever the fluid level begins to reach the LOWER level mark.

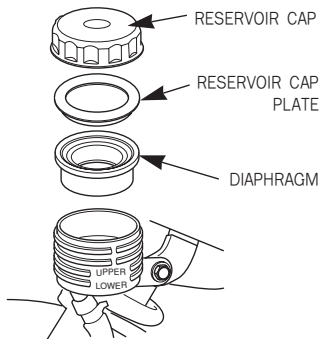
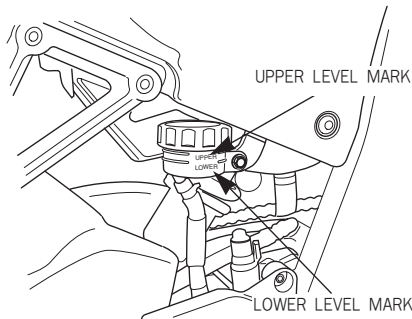
1. Remove the reservoir cap, reservoir cap plate, and diaphragm.
2. Fill the reservoir with recommended brake fluid from a sealed container up to the UPPER level mark.

RECOMMENDED BRAKE FLUID is DOT3

3. Reinstall the diaphragm, reservoir cap plate and cap securely.

Other checks :

- Make sure there are no fluid leaks.
- Check for deterioration or cracks in the hose and fitting.
- Check the brake pad for wear when refilling with brake fluid.



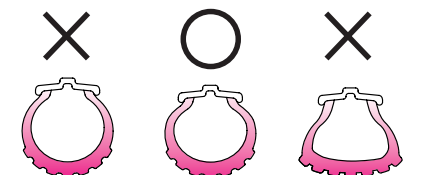
TIRES

<TIRE PRESSURE CHECK>

Check for an appropriate level of air pressure by examining how the tire sits on the ground. If you notice any abnormalities in the shape of the tire with regard to the area contacting the ground, use a tire gauge to check tire pressure and adjust the tire pressure to the appropriate level.

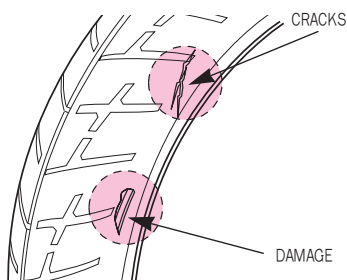
<TIRE PRESSURE>

SIZE	FRONT	110/70-17 54P	
	REAR	140/60-17 69P	
TIRE PRESSURE (kgf/cm ²)	WITH ONE PERSON	FRONT	2.00
		REAR	2.00
	WITH TWO PERSON	FRONT	2.00
		REAR	2.25



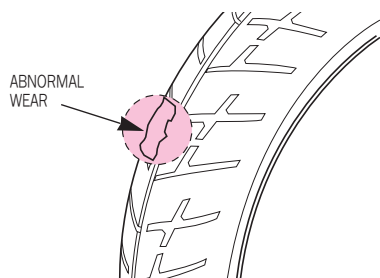
<CRACKS/DAMAGE>

Check tire tread and sides for cracks and damage.



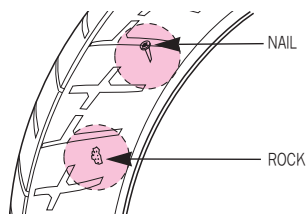
<ABNORMAL WEAR>

Check tire tread for signs of abnormal wear.



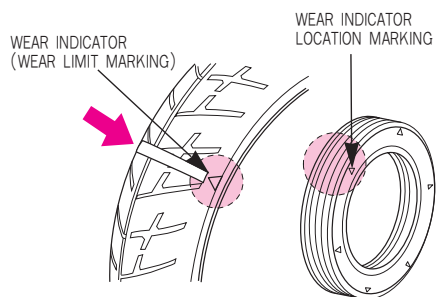
<FOREIGN MATERIALS>

Check tire tread and sides for nails, rocks, etc. That might have become wedged in the tire.



<TREAD DEPTH>

- Check the wear indicator (wear limit marking) to see if there is an insufficient amount of tread remaining.
- If the indicators are visible, replace tire with a new one.



⚠ CAUTION

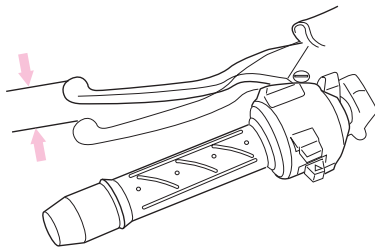
- If air pressure is inadequate or if there are cracks, damage or abnormal wear on tires, it may cause trembling steering wheel and flat tire.
- Insufficient air pressure may cause the heavy steering wheel marking handling difficult, fuel over consumption and the excessive wear of tire outer area and excessive air pressure may cause easier wheel handling and lower fuel consumption. But it may also cause the excessive wear of tire center area.
- This motorcycle is equipped with tubeless tires. If you have flat tires, please contact authorised maintenance shops for inspection.

CLUTCH

Clutch adjustment may be required if the motorcycle stalls when shifting into gear or tends to creep; or if the clutch slips, causing acceleration to lag behind engine speed.

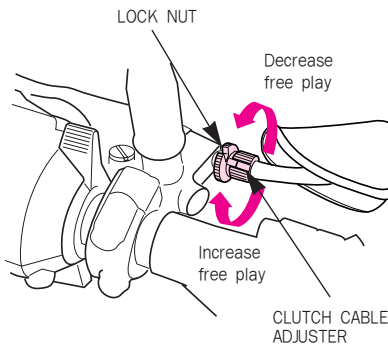
Minor adjustments can be made with the clutch cable adjuster at the lever.

CLUTCH LEVER FREE PLAY: 10~20mm

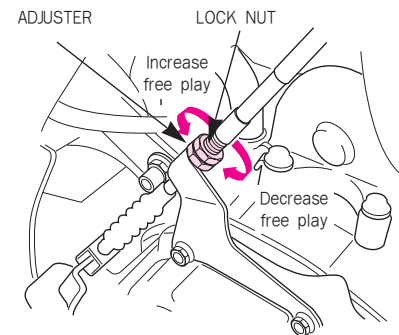


<CLUTCH LEVER ADJUSTMENT>

1. Loosen the lock nut and turn the adjuster. Tighten the lock nut and check the adjustment.
2. If the adjuster is threaded out near its limit or if the correct free play cannot be obtained, loosen the lock nut and turn in the cable adjuster completely. Tighten the lock nut.



4. Start the engine, pull in the clutch lever and shift into gear. Make sure the engine does not stall and the motorcycle does not creep. Gradually release the clutch lever and open the throttle. The motorcycle should begin to move smoothly and accelerate gradually.



3. Loosen the lock nut at the lower end of the cable. Turn the adjusting nut to obtain the specified free play. Tighten the lock nut and check the adjustment.

▲ NOTE

- If proper adjustment cannot be obtained or the clutch does not work correctly, see your Daelim dealer.

FUEL

<FUEL COCK>

- **ON:** With the fuel cock in the ON position, fuel will flow from the main fuel supply to the carburetor.
- **OFF:** With the fuel cock in the OFF position, fuel cannot flow from the tank to the carburetor.
Turn the fuel cock OFF whenever the motorcycle is not in use.
- **RES:** With the fuel cock in the RES position, fuel will flow from the reserve fuel supply to the carburetor. Use the reserve fuel only when the main supply is gone. Refill the tank as soon as possible after switching to RES.

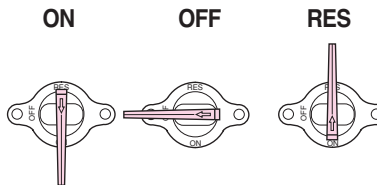
The reserve fuel supply is : **1.1ℓ**

⚠ WARNING

- To avoid running out of fuel that may result in a sudden stop, learn how to operate the fuel cock when riding the motorcycle.

⚠ NOTE

- Remember to check that the fuel cock is in the ON position each time you refuel. If the cock is left in the RES position, you may run out of fuel with no reserve.

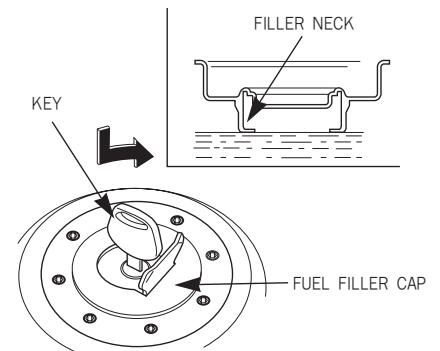


<FUEL TANK>

The fuel tank capacity including the reserve supply is : **16.0ℓ**

To open the fuel fill cap;

1. Insert the ignition key and turn it clockwise.
2. The cap is hinged and will lift up.
3. Do not overfill the tank. There should be no fuel in the filler neck.
4. After refueling, to close the fuel fill cap, push the cap into the filler neck until it snaps closed and locks.
5. Remove the key.



⚠ WARNING

- Gasoline is extremely flammable and is explosive under certain conditions. Refuel in a well-ventilated area with the engine stopped. Do not smoke or allow flames or sparks in the area where gasoline is stored or where the fuel tank is refueled.
- Do not overfill the tank. After refueling, make sure the fuel fill cap is closed securely.
- Avoid repeated or prolonged contact with skin or breathing of vapor.
KEEP OUT OF REACH OF CHILDREN.

ENGINE OIL

<ENGINE OIL LEVEL CHECK>

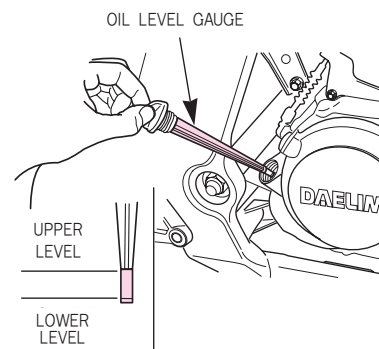
Check the engine oil level each day before riding the motorcycle.

The level must be maintained between the upper and lower level marks on the oil level gauge.

1. Start the engine and let it idle for a few minutes.
2. Stop the engine and put the motorcycle on its main stand on level ground.
3. After a few minutes, remove the oil level gauge, wipe it clean, and reinsert the gauge without screwing it in. Remove the gauge. The oil level should be between the upper and lower marks on the oil level gauge.
4. If required, add the specified oil up to the upper level mark. Do not overfill.
5. Reinstall the oil level gauge. Check for oil leaks.

⚠ CAUTION

- Running the engine with insufficient oil pressure may cause serious engine damage.



LIGHTS AND WINKER

<HEADLIGHT, TAILLIGHT>

Start the engine and make sure the lights turn on. Also check to see if the lights are damaged or if there is dirt on them.

<BRAKE LIGHT CHECK>

Turn the main switch to ON.

While separately operating the front and rear brakes, check to see if the brake light turns on. Also check to see if there is any damage to the lens or if there is dirt on the brake light.

<WINKER CHECK>

Turn the main switch to ON.

Check to see if all the winker in the front and rear of the vehicle (including left and right sides) are flashing properly. At the same time, check to make sure that the automatic sound signal of the winker is working. Check also to see if any of the lens are damaged or dirty.

OPERATION

BACK MIRROR

Sit squarely on the seat and check to see if you have a good view behind the vehicle by looking at the back mirrors. Also check for dirt and damage on the back mirrors.

LICENSE PLATE

Check to see if there is any dirt or damage to the license plate.
Also check to see if the license plate is firmly secured to the vehicle.

PRE-RIDE INSPECTION

▲ WARNING

- If the pre-ride inspection is not performed, severe personal injury or motorcycle damage may result.

Inspect your motorcycle every day before you ride it. The items listed here will only take a few minutes to inspect, and in the long run they can save time, expense, and possibly your life.

- Check for signs of abnormality which might have occurred on the previous day.
- Engine oil level - add engine oil if required (page 25). Check for leaks.
- Fuel level - fill fuel tank when necessary (page 24). Check for leaks.
- Front and rear brakes - check operation; make sure that is no brake fluid leakage (page 19~21).
- Tires - check condition and pressure (page 21~22).
- Drive chain - check condition and slack (page 39~40). Adjust and lubricate if necessary.

- Throttle - check for smooth opening and full closing in all steering positions.
- Lights and horn - check that headlight, tail/brake light, turn signals, indicators and horn function properly.
- Side stand switch ignition cut-off system - check for proper function (page 44).
- Angle rear view mirror.

▲ CAUTION

- Observe safety rules when conducting inspections.
- Conduct inspections on a flat, solid ground with the main stand erected.

If you are unable to correct trouble even after you make adjustment or correction, contact authorized maintenance shops, dealers or designated repair shops for necessary inspection and repairs.

STARTING THE ENGINE

Always follow the proper starting procedure described below.

- This motorcycle is equipped with a side stand ignition cut-off system. The engine cannot be started if the side stand is down, unless the transmission is in neutral. If the side stand is up, the engine can be started in neutral or in gear with the clutch lever pulled in. After starting with the side stand down, the engine will shut off if the transmission is put in gear before raising the side stand.

⚠ WARNING

- Never run the engine in an enclosed area. The exhaust contains poisonous carbon monoxide gas that can cause loss of consciousness and lead to death.

⚠ CAUTION

- Do not keep the starter button pressed for more than 5 seconds at a time. Release the starter button for approximately 10 seconds before pressing it again.

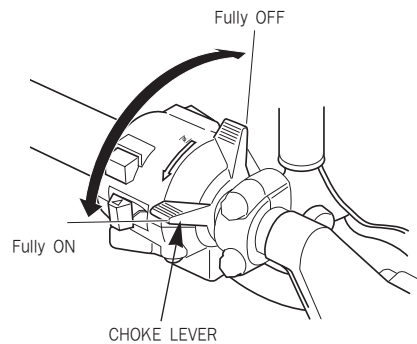
<PREPARATION>

Before starting, insert the key, turn the ignition switch ON and confirm the following:

- The transmission is in NEUTRAL (neutral indicator light ON)
- The fuel cock is ON.

<WHEN ENGINE IS COLD (WINTER)>

1. Pull the choke lever back all the way to Fully ON.

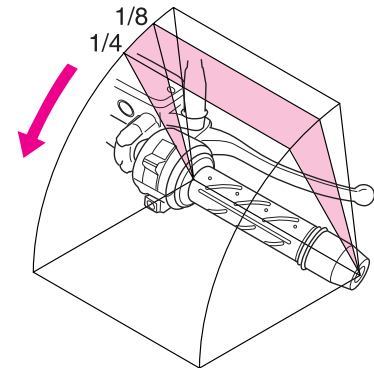


2. Close throttle grip, and press starter button.

3. Once engine is started, pull and release throttle grip repeatedly to run engine idle until engine is heated, and close choke lever completely. If engine warming up takes time, run engine idle with the choke lever slightly closed.

<WHEN ENGINE IS HOT (SUMMER)>

1. Close throttle grip and press starter button. (If engine is not started with 1-2 times trial, verify fuel cock lever is in "ON" position)
2. If engine is not started with throttle grip closed, open throttle grip approximately 1/8 to 1/4 and press starter button.



- It is possible that starting will be more difficult if the vehicle has not been used for a long period of time or if the fuel hole is plugged up (starting problems even when there is sufficient fuel in the fuel tank may be an indication of a plugged fuel hole).
When this happens, do not rotate the throttle grip and try the starter button a few times.

NOTE

- Do not run engine idle unreasonably. This not only wastes fuel but also adversely affects engine.
- If starter button is pressed in gear position, vehicle may bring out to fall. Make sure gear is in neutral position prior to starting engine.

IF ENGINE CANNOT BE STARTED

If engine cannot be started or vehicle does not move, check the followings.

- Is there fuel in fuel tank?
- Are you operating in accordance with the instructions given in user's manual?
- Is fuse not cut?
- Is starter motor running?
- If starter motor is not running due to battery consumption, try starting motor by using kick start technique.

RUNNING-IN

During initial running-in newly machined surfaces will be in contact with each other and these surfaces will wear in quickly. Running-in maintenance at 1,000km is designed to compensate for this initial minor wear.

Timely performance of the running-in maintenance will ensure optimum service life and performance from the engine.

The general rules as follows:

1. Never labour the engine with full throttle at low engine speeds. This rule is applicable not only during running-in but at all times.
2. Maximum continuous engine speed during the first 1,000km must not exceed 5,000 rpm.

CAUTION

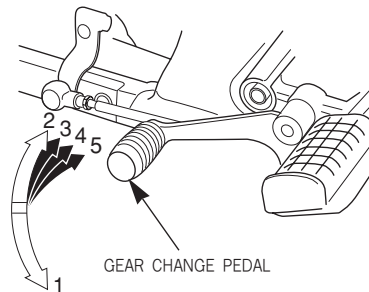
- Running the engine beyond recommended maximum engine speed (the beginning of the tachometer red zone) can damage the engine.

RIDING

1. After the engine has been warmed up, the motorcycle is ready for riding.
2. While the engine is idling, pull in the clutch lever and depress the gearshift pedal to shift into 1st (low) gear.
3. Slowly release the clutch lever and at the same time gradually increase engine speed by opening the throttle. Coordination of the throttle and clutch lever will assure a smooth positive start.
4. When the motorcycle attains a moderate speed, close the throttle, pull in the clutch lever and shift to 2nd gear by raising the gearshift pedal.
This sequence is repeated to progressively shift to 3rd, 4th, 5th (top) gear.
5. Coordinate the throttle and brakes for smooth deceleration.
6. Both front and rear brakes should be used at the same time and should not be applied strongly enough to lock the wheel, or braking effectiveness will be reduced and control of the motorcycle be difficult.

<GEAR DOWN OPERATION>

If you gear down when you need to drastically accelerate speed such as when you are passing another motorcycle, speed can be accelerated. If you ride too fast, it adversely affects engine because engine revolution is excessive.



⚠ CAUTION

- Touch pedal lightly with foot and shift gear perfectly until you hear "Click" at the pedal. If you apply excessive force when shifting gear, transmission may be damaged.

⚠ NOTE

- Make sure side stand is in original position prior to starting motorcycle. If side stand moves unsatisfactorily, check lubrication state on side stand joint.
- Shift gear adequately according to vehicle speed.
- To save fuel and maintain optimum vehicle life, do not accelerate or decelerate speed abruptly.
- Always start in the 1" gear, and start carefully as slow as possible.
- If you hear abnormal noise during travel, contact authorized maintenance shop immediately for inspection and necessary action.
- Maintain legal speed limits.

BRAKING

1. For normal braking, gradually apply both the front and rear brakes while down shifting to suit your road speed.
2. For maximum deceleration, close the throttle and apply the front and rear brakes firmly.

⚠ WARNING

- If you apply brakes only on front wheel or rear wheel, vehicle may slide off sideways and fall.
- If you apply brakes abruptly during travel in rain or on wet road, tires slide off and may cause accidents. Reduce speed and apply brake cautiously.
- Avoid repeated brake operation as it may cause brake temperature to rise, leading to braking effect deterioration.
- When possible, reduce speed or brake before entering a turn; closing the throttle or braking in mid-turn may cause wheel slip. Wheel slip will reduce control of the motorcycle.

<ENGINE BRAKE>

If you turn throttle grip in reverse, engine brake functions and, if you need stronger braking, shift gear down from 4th to 3rd and so forth. When you travel on a long descent or on a sharp descent, use intermittent braking technique and engine brake simultaneously.

⚠ CAUTION

- Do not shift to lower gear while traveling at an excessive speed as it may suddenly increase the engine speed, adversely affect the engine and transmission, and cause the rear part of the vehicle to be shaken.

PARKING

1. After stopping the vehicle, shift the transmission into neutral, turn the fuel cock OFF, turn the ignition switch OFF and remove the key.
2. Put the vehicle on main stand and park on level ground in places free of traffic.
3. Use the side stand to support the vehicle while parked.
4. Turn the handlebar fully to the left and lock the steering to help prevent theft.

⚠ CAUTION

- Park the vehicle on firm, level ground to prevent it from falling over.
- Park in a safe area that will not block traffic. When you parked the vehicle after driving, make sure foot the vehicle beyond man's reach because engine and muffler are still hot.
- If you must park on a slight incline, aim the front of the vehicle uphill to reduce the possibility of rolling off the side stand or overturning.

MAINTENANCE

- The Required Maintenance Schedule specifies how often you should have your motorcycle served, and what things need attention. It is essential that your motorcycle be served as scheduled to retain its high level of safety, dependability, and emission control performance.
- These instructions are based on the assumption that the motorcycle will be used exclusively for its designed purpose. Sustained high speed operation, or operation in unusually wet or dusty conditions, will require more frequent service than specified in the MAINTENANCE SCHEDULE.
Consult your authorized Daelim dealer for recommendations applicable to your individual needs and use.

MAINTENANCE SCHEDULE

Perform the Self Inspections Before Operation at each scheduled maintenance period.

I: INSPECT AND, CLEAN, ADJUST, LUBRICATE OR REPLACE IF NECESSARY

R: REPLACE L: LUBRICATE C: CLEAN

ITEM	FREQUENCY	ODOMETER READING(NOTE1)						REMARK
		× 1,000Km	1	4	8	12	16	
		MONTH	1	6	12	18	24	
★	FUEL LINE			I	I	I	I	
★	FUEL FILTER			R	R	R	R	
★	THROTTLE OPERATION		I	I	I	I	I	
★	CARBURETOR CHOKE		I	I	I	I	I	
	AIR CLEANER ELEMENT			R	R	R	R	NOTE(2)
	SPARK PLUG			I	R	I	R	
★	VALVE CLEARANCE			I	I	I	I	
★	CARBURETOR IDLE		I	I	I	I	I	
★	ENGINE OIL		R	R	R	R	R	
★★	ENGINE OIL FILTER		R	R	R	R	R	
	DRIVE CHAIN		Every 1,000Km : I and L					

ITEM		FREQUENCY	ODOMETER READING(NOTE 1)					REMARK	
			× 1,000Km	1	4	8	12		16
			MONTH	1	6	12	18		24
★	BRAKE FLUID		I	I	I	I	R	NOTE(3)	
★	BRAKE SHOE / PAD WEAR		I	I	I	I	I		
	BRAKE SYSTEM		I	I	I	I	I		
★	BRAKE STOP SWITCH		I	I	I	I	I		
★	HEADLIGHT ADJUSTMENT		I	I	I	I	I		
★	SUSPENSION			I	I	I	I		
	CLUTCH		I	I	I	I	I		
	SIDE STAND			I	I	I	I		
★	BOLTS, NUTS, FASTENERS		I	I	I	I	I		
★★	WHEELS / TIRES		I	I	I	I	I		
★★	STEERING HANDLE BEARING		I	I	I	I	I		

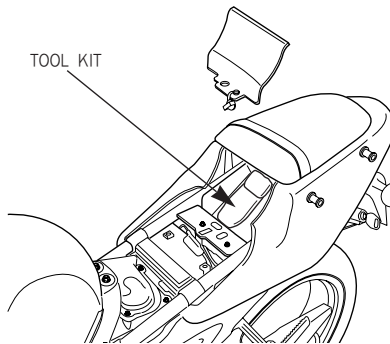
- ★ If you do not have the appropriate tools or information to conduct maintenance, or if you feel you are not capable to perform maintenance on this vehicle, contact authorized dealers or repair shops for maintenance and repairs.
- ★★ To ensure safety, inspections and maintenance of these parts must be carried out by dealers, or repair centers.

NOTES : (1) At higher odometer readings, repeat at the frequency interval established here.
(2) Service more frequently when riding in unusually wet or dusty areas.
(3) Replace every 2 years, or at indicated odometer interval, whichever comes first. Replacement requires mechanical skill.

TOOL KIT

The tool kit is under the seat (page 17).
Some roadside repairs, minor adjustments and parts replacement can be performed with the tools contained in the kit.

- No.2 screwdriver
- Screwdriver grip
- 16mm Box wrench
- 10x12mm Spanner
- 5mm Hex wrench
- Tool bag



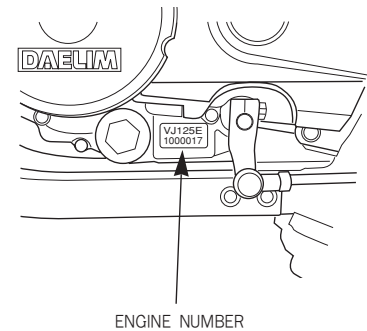
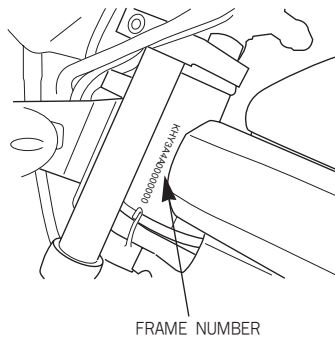
FRAME AND ENGINE NUMBERS

- The frame and engine numbers are needed when registering your motorcycle.
- They may also be required by your dealer when ordering replacement parts.
- Record the numbers here for your reference.

FRAME NO. _____

- The frame number is stamped on the left side of the steering head.
- The engine number is stamped on under of the left crankcase.

ENGINE NO. _____



MAINTENANCE PRECAUTIONS

The following is an explanation of correct inspection methods, cleaning and parts replacing. Please always refer to this section when wanting to inspect or repair your motorcycle.

⚠ WARNING

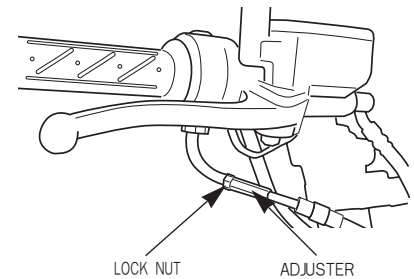
- If your motorcycle is overturned or involved in a collision, inspect control levers, cables, brake hoses, calipers, accessories, and other vital parts for damage. Do not ride the vehicle if damage impairs safe operation. Have your authorized Daelim dealer inspect the major components, including frame, suspension and steering parts, for misalignment and damage that you may not be able to detect.
- Use new, genuine Daelim parts or their equivalent for maintenance and repair. Parts which are not of equivalent quality may impair the safety of your motorcycle and the effective operation of the emission control systems.

⚠ CAUTION

- Always observe safety rules when performing maintenance on the vehicle.
- Choose a flat surface and make sure the main stand is in a secure down position.
- Use correct tools.
- Conduct engine maintenance with the engine key out of the ignition.
- Be careful around the engine and muffler when performing maintenance as these areas can become extremely hot.
- After self maintenance, the waste material must be packed in the specified container and entrusted disposal to the authorized disposal company.
- Exhaust gas contains harmful substance such as carbon monoxide. Do not carry out inspections on vehicle in closed places, or in poorly ventilated places, with engine running.

THROTTLE OPERATION

- Check for smooth rotation of the throttle grip from the fully open to the fully closed position at both full steering positions.
- Measure the throttle grip free play at the throttle grip flange. The standard free play should be approx : **2~6mm**
- To adjust the free play, loosen the lock nut and turn the adjuster.



⚠ WARNING

- Operating the motorcycle with an inadequate throttle grip free play can be hazardous. Inadequate throttle grip free play can cause engine speed to rise suddenly when you turn the handlebars.

AIR CLEANER

When the element becomes dirty, there will be greater intake resistance, resulting in decreased power output and increased fuel consumption.

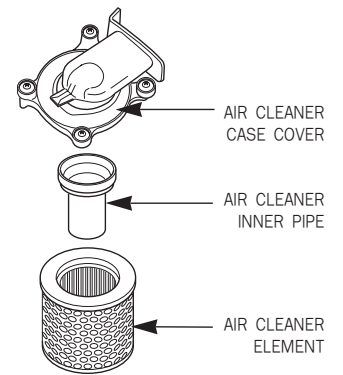
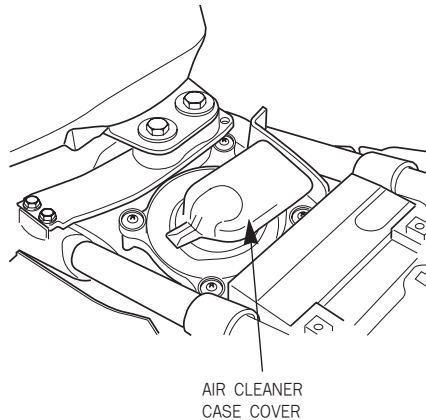
The air cleaner should be serviced at regular intervals (page 32).

Service more frequently when riding in dusty areas.

CAUTION

- Do not operate the engine without the air cleaner element in place or severe engine damage may result.
- If you usually ride in dusty areas or regularly operate in vehicle in wet, muddy conditions, you must inspect the air cleaner element more frequently than shown in the maintenance schedule.
- If, at any time, the air cleaner element is submerged in water, immediately clean the element and the inside of the air cleaner cover.

1. Remove the front seat (page 17)
2. Remove the air cleaner case cover by removing the screws.
3. Remove the air cleaner inner pipe, and remove the air cleaner element.
4. Replace the air cleaner element if it is excessively dirty, torn or damaged.
5. Install the air cleaner.
6. Install the removed parts in reverse order of removal.



CAUTION

- If air cleaner element is inadequately assembled, dust and other waste materials are absorbed directly inducing cylinder wear and output deterioration, and adversely affecting engine durability. Assemble correctly.

ENGINE OIL

If engine oil is polluted, it seriously affects the engine life span. Maintain appropriate level of oil, use correct type of oil and observe oil exchange period.

- Stand vehicle on the main stand on level ground and run engine idle (warm up) for approximately 2-3 minutes.
- Stop engine and place a container under the engine. Remove oil level gauge and oil drain bolt, and drain the oil.
- Tighten the oil drain bolt.

DRAIN BOLT TORQUE: 2.5kgf · m

- Fill the crankcase with the recommended grade oil.

OIL CAPACITY :

-FULL : 1.1ℓ

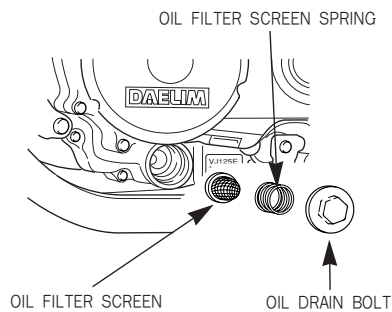
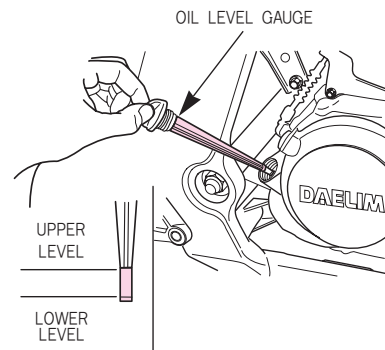
-EXCHANGE: 1.0ℓ

-FILTER EXCHANGE: 1.05ℓ

- Start the engine and keep it idle for a few minutes.
- Stop the engine and check the oil level.
If the oil level is low, add the recommended engine oil.
- Check on oil leaks.

⚠ WARNING

- Be sure to keep oil away from children and pets. Dispose of used oil properly



<RECOMMENDED OIL>

If oil sold on markets or privately-manufactured oil (low-grade) is used, engine life is adversely affected, and the privilege of warranty repairs cannot be guaranteed.

GRADE (SE, SF, SH)

⚠ CAUTION

- If you change engine oil immediately after engine is stopped, be careful of burns because the engine, muffler and engine oil are still hot.
- Exercise caution not to allow dust or other foreign matter to flow in when refilling engine oil.
- If oil level is lower or higher than prescribed level, engine is adversely affected.
- Do not mix oil with those of different manufacturers or grade, or do not use low-quality oil as it may cause deterioration of oil, leading to accidents.

SPARK PLUG

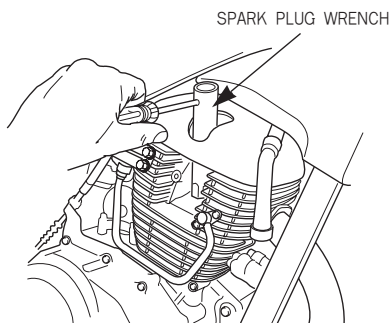
If electrode is stained or plug gap is not right, satisfactory spark is not produced.

Recommended plug :

-Standard : **CR8EH-9**

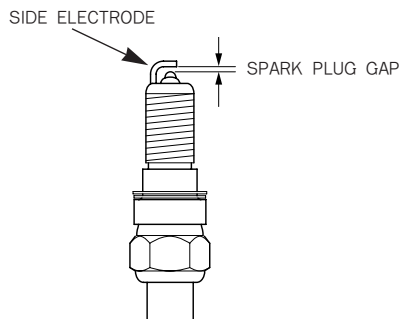
-For cold climate : CR7EH-9

1. Remove the spark plug cover to remove the spark plug.
2. Disconnect the spark plug cap from the spark plug.
3. Clean any dirt from around the spark plug base.
Remove the spark plug using the spark plug wrench furnished in the tool kit.



4. Inspect the electrode and center porcelain for deposits, erosion or carbon fouling. If the erosion or deposit is heavy, replace the plug. Clean a carbon or wet-fouled plug with a plug cleaner, otherwise use a wire brush.
5. Check the spark plug gap using a wire-type feeler gauge. If adjustment is necessary, bend the side electrode carefully.

The gap should be : **0.8~0.9mm**



6. With the plug washer attached, thread the spark plug in by hand to prevent cross-threading.

7. Tighten the spark plug 1/2 turn with a spark plug wrench to compress the washer.
8. Reinstall the spark plug cap and the spark plug cover.

CAUTION

- If plug of different maker or different heat value is used, it causes unsatisfactory engine starting, inadequate engine revolution and output deterioration.
- The spark plug must be securely tightened. An improperly tightened plug can become very hot and possibly damage the engine.
- To install a spark plug, turn it in as far as possible with your fingers, then tighten it with a wrench.
Do not overtighten or cross thread the spark plug or the aluminum threads of the cylinder head will be damaged. Do not allow contaminants to enter the engine through the spark plug hole when the plug is removed.

DRIVE CHAIN

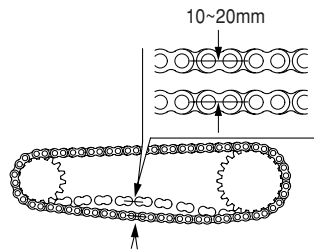
- The service life of drive chain is dependent upon proper lubrication and adjustment. Poor maintenance can cause premature wear or damage to the drive chain and sprocket.
- The drive chain should be checked and lubricated as part of the Pre-ride Inspection.
- Under severe usage, or when the vehicle is ridden in unusually dusty or muddy areas, more frequent maintenance will be necessary.

⚠ WARNING

- For your safety, drive chain condition and adjustment should be checked prior to each use of the vehicle. Always follow the manufacturer's recommendations for proper lubrication and replacement of the chain.

<INSPECTION>

1. Turn the engine off, put motorcycle in upright position on the main stand and shift the transmission into neutral.
2. Check slack in the lower drive chain run midway between the sprockets. Drive chain slack should be adjusted to allow the following vertical movement by hand: **10~20mm**
3. Roll the motorcycle forward. Stop check drive chain slack. Repeat this procedure several times. Drive chain slack should remain constant. If the chain is slack only in certain sections, some links are kinked and binding, Binding and kinking can frequently be eliminated by lubrication.



4. Rotate the rear wheel slowly and inspect the drive chain and sprockets for any of the following conditions:

■ DRIVE CHAIN

- ① Damaged rollers
- ② Loose Pins
- ③ Dry or Rusted Link
- ④ Kinked or Binding Link
- ⑤ Excessive Wear
- ⑥ Improper Adjustment
- ⑦ Missing O-ring

■ SPROCKETS

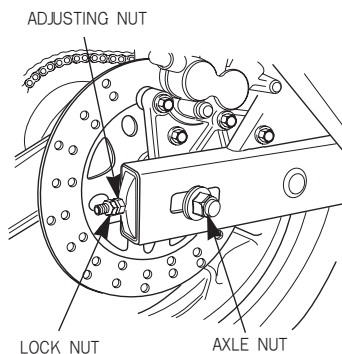
- ⑧ Excessively Worn Teeth
- ⑨ Broken or Damaged Teeth

- A drive chain with damaged rollers, loose pins or missing O-ring must be replaced.
- A chain which appears dry or shows signs of rust, requires supplementary lubrication.

<ADJUSTMENT>

- Drive chain slack should be checked and adjusted, if necessary, every 1,000km.
- When operated at sustained high speeds or under conditions of frequent rapid acceleration, the chain may require more frequent adjustment.

1. Place the motorcycle on its main stand with the transmission in neutral and the ignition switch off.
2. Loose the axle nut.
3. Loose the lock nuts on both sides of the swingarm.
4. Turn both adjusting nuts an equal number of turns until the correct drive chain slack is obtained. Turn the adjusting nuts clockwise to tighten the chain or counterclockwise to provide more slack. Adjust the chain slack at a point midway between the drive sprocket and the rear wheel sprocket. Rotate the rear wheel and recheck slack at other section of the chain.
Chain slack should be : **10~20mm**



5. Tighten the axle nut to specified torque.

AXLE NUT TORQUE : 6.0~8.0kgf.m

6. Tighten the adjusting nuts lightly, then tighten the lock nuts by holding the adjusting nuts with a spanner.
7. Recheck drive chain slack.

⚠ WARNING

- If a torque wrench is not used for this installation, see your authorized dealer as soon as possible to verify proper assembly.

⚠ CAUTION

- Excessive chain slack could cause the chain to come off the sprockets, resulting in loss of control or serious engine damage.
- Make sure the right and left chain adjuster graduations are set in the same position.

<LUBRICATION AND CLEANING>

Lubricate every 1,000km or sooner if chain appears dry.

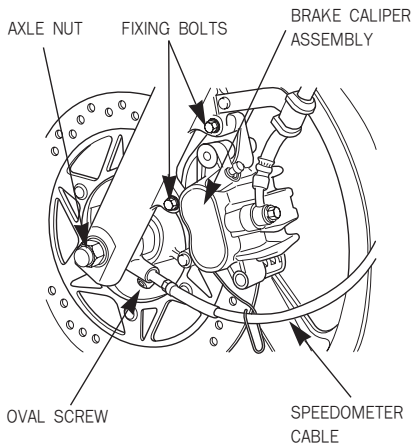
The O-rings in this chain can be damaged by steam cleaning, high pressure washers, and certain solvents. Clean the side surfaces of the chain with a dry cloth. Do not brush the rubber O-rings. Brushing will damage them.

Wipe dry and lubricate only with SAE 80 or 90 gear oil. Commercial chain lubricants may contain solvents which could damage the rubber O-rings.

WHEEL REMOVAL

[FRONT WHEEL REMOVAL]

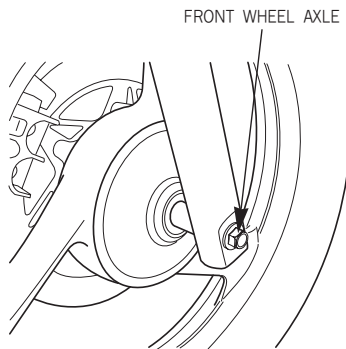
1. Raise the front wheel off the ground by placing a support block under the engine.
2. Loosen the oval screw and remove the speedometer cable.
3. Remove the front caliper assembly from the fork by removing the fixing bolts.
4. Loosen the axle nut.



▲ NOTE

- Do not depress the brake lever when the wheel is off the motorcycle. The caliper piston will be forced out of the cylinder with subsequent loss of brake fluid. If this occurs, servicing of the brake system will be necessary. See your authorized Daelim dealer for this service.

5. Withdraw the front wheel axle, side collar and remove the front wheel.



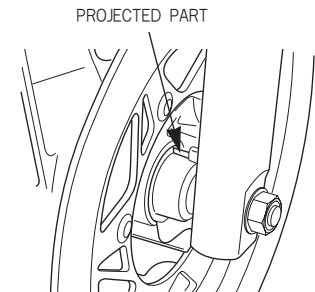
INSTALLATION NOTES:

- Position the front wheel between the fork legs and insert the axle from the right side, through the left fork leg and wheel hub.

▲ CAUTION

- When installing the wheel, carefully fit the left brake disk between the brake pads to avoid damaging the pads.

- Prior to assembling, align the projected part(凸) of the speedometer gear box with the projected part of the left front fork.



- Tighten the front axle nut to the specified torque.

**FRONT AXLE NUT TORQUE :
5.0~7.0kgf.m**

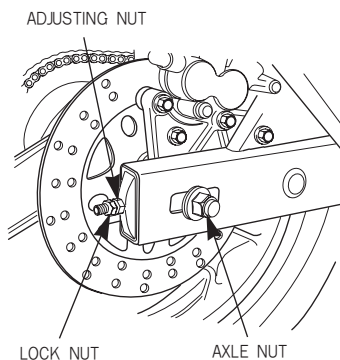
- Fit the caliper over the disk, taking care not to damage the brake pads. Install the caliper fixing bolts, and tighten to a torque of : **2.7kgf.m**
- Install the speedometer cable and tighten the oval screw.
- After installing the wheel, apply the brake several times and then check if the wheel rotates freely. Recheck the wheel if the brake drags or if the wheel does not rotate freely.

▲ WARNING

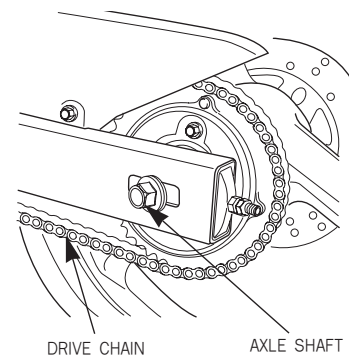
- If torque wrench was not used for installation, see you authorized dealer as soon as possible to verify proper assembly. Improper assembly may lead to loss of braking capacity.

[REAR WHEEL REMOVAL]

1. Place the motorcycle on its main stand in upright position on level ground.
2. Loosen the drive chain adjusting nut lock nuts and adjusting nuts.
3. Remove the rear axle nut.
4. Remove the drive chain from the driven sprocket by pushing the rear wheel forward.



5. Remove the axle shaft, side collars and rear wheel from the swing arm.



▲ NOTE

- Do not depress the brake pedal while the wheel is off the motorcycle. The caliper pistons will be forced out of the cylinders with subsequent loss of brake fluid. If this occurs, servicing of the brake system will be necessary. See your authorized Daelim dealer for this service.

INSTALLATION NOTES:

- To install the rear wheel, reverse the removal procedure.
- Tighten the axle nut to the specified torque.

REAR AXLE NUT TORQUE : 6.0~8.0kgf.m

- Adjust the drive chain. (page 39)

⚠ CAUTION

- When installing the wheel, carefully fit the left brake disk between the brake pads to avoid damaging the pads.
- After installing the wheel, apply the brake several times and then check if the wheel rotates freely. Recheck the wheel if the brake drags or if the wheel does not rotate freely.

⚠ WARNING

- If torque wrench was not used for installation, see you authorized dealer as soon as possible to verify proper assembly. Improper assembly may lead to loss of braking capacity.

BRAKE PAD WEAR

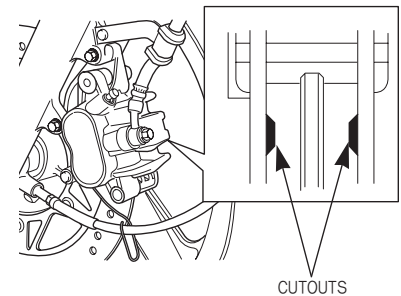
Brake pad wear depends upon the severity of usage, the type of riding, and road conditions. (Generally, the pads will wear faster on wet and dirty roads.)

Inspect the pads at each regular maintenance interval. (page 33)

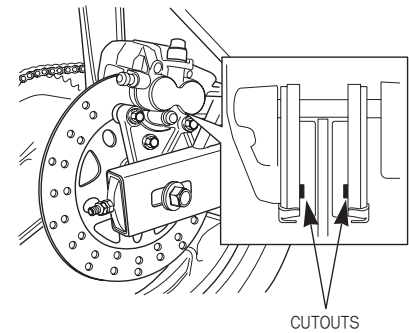
[FRONT/REAR BRAKE]

- Check the cutout in each pad.
- If either pad is worn to the cutout, replace both pads as a set.
- See your authorized Daelim dealer for this service.

<FRONT BRAKE>



<REAR BRAKE>



IDLE SPEED

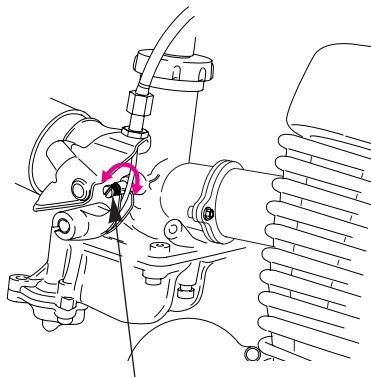
The engine must be at normal operating temperature for accurate idle speed adjustment. Ten minutes of stop-and-go riding is sufficient.

1. Warm up the engine, shift to neutral and place the motorcycle on its stand.
2. Adjust idle speed with the throttle stop screw.

IDLE SPEED (IN NEUTRAL) :
 $1,600 \pm 100 \text{ min}^{-1} (\text{rpm})$

⚠ CAUTION

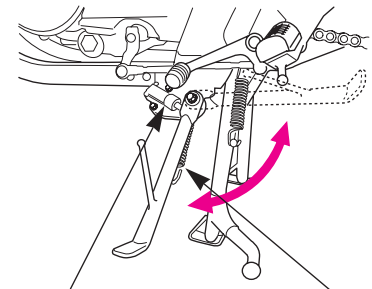
- Make sure that the engine is fully warmed up before adjusting the idle speed. Improper adjustment can result in increased engine wear.



THROTTLE STOP SCREW

SIDE STAND

- Erect main stand and place motorcycle in upright position on level ground.
- Check the spring for damage or loss of tension and the side stand assembly for freedom of movement.
- Check the side stand ignition cut-off system;
 - ① Put the side stand up.
 - ② Start the engine.
 - ③ Lower the side stand. The engine should stop as you put the side stand down.
- If the side stand system does not operate as described, inspect it in the closest authorized repair center.



SIDE STAND SWITCH

SIDE STAND SPRING

BATTERY

It is not necessary to check the battery electrolyte level or add distilled water as the battery is a maintenance-free (sealed) type. If your battery seems weak and/or is leaking electrolyte (causing hard starting or other electrical troubles), contact your authorized Daelim dealer.

CAUTION

- Removing the battery cap strip can damage the cap strip and result in leaks and eventual battery damage.
- When the vehicle is to be stored for an extended period of time, remove the battery from the vehicle and charge it fully. Then store it in a cool, dry place. If the battery is to be left in the vehicle, disconnect the negative cable from the battery terminal.

WARNING

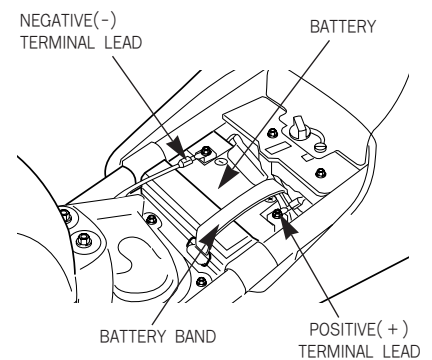
- The battery gives off explosive gases; keep sparks, flames, and cigarettes away. Provide adequate ventilation when charging or using the battery in an enclosed space.

WARNING

- Battery acid is poisonous and corrosive. Avoid contact with eyes, skin, clothing, and painted surfaces. If battery acid comes in contact with any of these, flush immediately with large amounts of water. If acid contacts the eyes or skin, get medical attention.
- KEEP OUT OF REACH OF CHILDREN.
- Even though the battery is sealed, it still vents explosive gases. Do not allow open flames or sparks near the battery.

<BATTERY REMOVAL>

1. Turn the ignition switch OFF.
2. Remove the front seat (page 17).
3. Remove the battery band.
4. Disconnect the negative \ominus terminal lead from the battery first, then disconnect the positive \oplus terminal lead.
5. Pull out the battery from the battery box.



CAUTION

- Make sure that terminals do not contact with other adjacent parts when handling \oplus/\ominus terminals.

<CLEANING BATTERY TERMINALS>

- If the battery terminal is polluted, or in rust, separate battery and clean it.
- Battery terminal in rust with white powder should be cleaned with warm water. In case of serious rust of battery terminal, disassemble the battery cord and grind it with wirebrush or sandpaper.

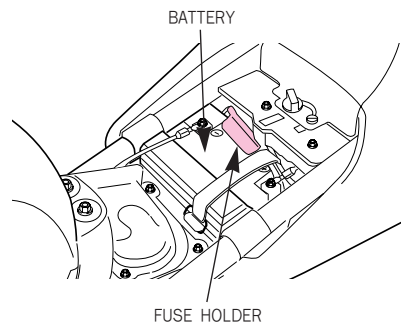
FUSE REPLACEMENT

Turn off the main switch to see if the fuse is severed. If the fuse is severed, exchange the fuse into 15A fuse.

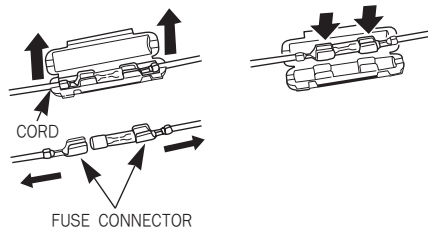
- Fuse is installed inside fuse holder located near battery.
- To separate fuse, open fuse holder, hold both ends of fuse cord and pull up, and pull out the fuse connector crosswise.
- If the fuse immediately becomes severed after being changed with the new one, check another problem of the electric system.

⚠ WARNING

- Never use a fuse with a different rating from that specified. Serious damage to the electrical system or a fire may result, causing a dangerous loss of lights or engine power.



<DISASSEMBLY> <ASSEMBLY>



⚠ CAUTION

- Turn the ignition switch OFF before checking or replacing fuse to prevent accidental short-circuiting.
- When disassemble fuse, make sure that fuse holder isn't separated.
- After assembling fuse in the part of connector, check if fuse moves easily to a line. If fuse moves easily, it may cause an accident at heating.
- When replacing any of the electrical parts (lights and gauges), be sure to replace them with the recommended parts. Using different parts can lead to the fuses burning out or damage to the battery.
- When washing the vehicle take special card not to allow to be splashed in the area of the fuse.

BULB REPLACEMENT

- Be sure to turn the ignition switch OFF when replacing the bulb.
- Do not use bulbs other than that specified.
- After installing a new bulb, check that the light operates properly.

⚠ WARNING

- The light bulb becomes very hot while the light is ON, and remain hot for a while after it is turned OFF. Be sure to let it cool down before servicing.

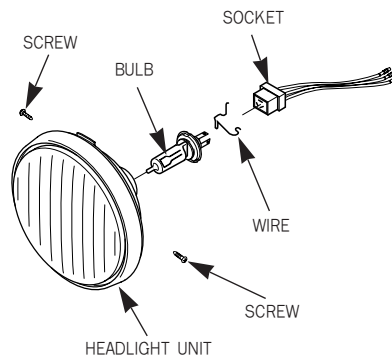
⚠ CAUTION

- Do not put finger prints on the headlight bulb, as they may create hot spots on the bulb and cause it to break. Wear clean gloves while replacing the bulb. If you touch the bulb with your bare hands, clean it with a cloth moistened with alcohol to prevent its early failure.

[HEADLIGHT BULB]

- Before replacing the bulb, be sure to check the switches for loose connection of the connector.
1. Loosen the washer screws and remove the headlight.
 2. Pull off the socket without turning.
 3. Loosen the pin and remove the bulb.
 4. Install a new bulb in the reverse order of removal.

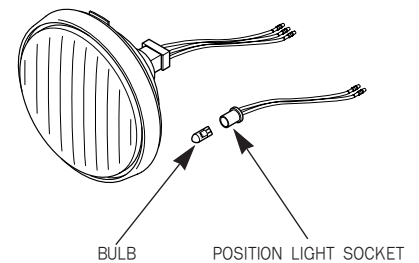
HEADLIGHT BULB : 12V 35/35W



[POSITION LIGHT BULB]

1. Pull the position light socket and remove it.
2. Pull out the bulb without turning
3. Install a new bulb in the reverse order of removal.

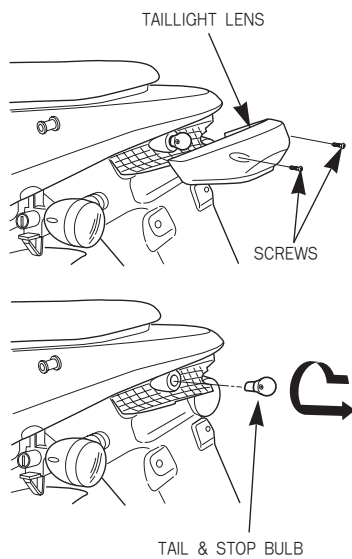
POSITION LIGHT BULB : 12V 5W



[STOP/TAILLIGHT BULB]

1. Loosen the screws and remove the taillight lens.
2. Slightly press down on the bulb and turn it counterclockwise.
3. Install a new bulb in the reverse order of removal.

STOP/TAILLIGHT BULB : 12V 21/5W

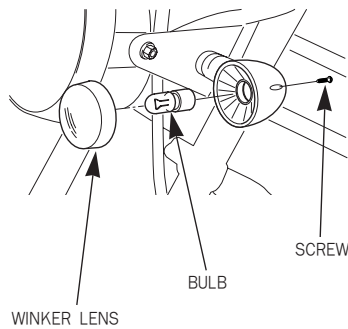


[WINKER BULB]

<Front winker bulb>

1. Loosen the screw and remove the winker lens.
2. Slightly press down on the bulb and turn it counterclockwise.
3. Install a new bulb in the reverse order of removal.

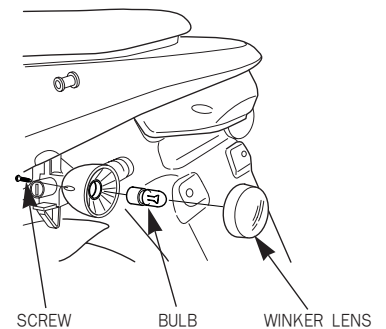
FRONT WINKER BULB : 12V10Wx2



<Rear winker bulb>

1. Loosen the screw and remove the winker lens.
2. Slightly press down on the bulb and turn it counterclockwise.
3. Install a new bulb in the reverse order of removal.

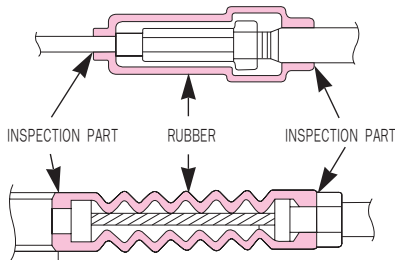
REAR WINKER BULB : 12V10Wx2



CABLE RUBBER PART

A rubber part is assembled on the cable to protect the inner cable.

Make sure that this part is placed firmly around the correct part of the cable. When washing the car, do not directly spray water on to the rubber part. If it is dirty, use a dry cloth to clean this area.



⚠ CAUTION

- Infiltration of the foreign materials or water caused by damage of lever (disengagement, tearing, etc.) may cause freezing in winter season resulting in faulty operation, sudden acceleration and braking force decrease. If any damage is found, replace with the new one immediately.

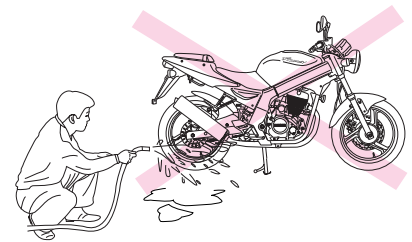
CLEANING

Clean your motorcycle regularly to protect the surface finishes and inspect for damage, wear, and oil, coolant or brake fluid leakage.

⚠ CAUTION

- Make sure to stop the engine prior to car washing.
- High pressure water (or air) can damage certain parts of the motorcycle.
- Be careful not to allow water to enter the muffler during the washing. Water inside the muffler may cause an improper engine starting or rust occurrence.
- Do not let water get inside the braking system during the washing, as water inside the brake system may weaken the braking power. Upon completion of washing, select a safe place where there is no traffic obstruction, and start the vehicle.

Lightly apply the brake while driving at a slow speed and check the braking power. If the braking power has been weakened, apply brake lightly while driving at a slow speed to dry up the brake system.



1. After cleaning, rinse the motorcycle thoroughly with plenty of clean water. Strong detergent residue can corrode alloy parts.
2. Dry the motorcycle, start the engine, and let it run for several minutes.
3. Test the brakes before riding the motorcycle. Several applications may be necessary to restore normal braking performance.
4. Lubricate the drive chain immediately after washing and drying the motorcycle.

⚠ WARNING

- Braking efficiency may be temporarily impaired immediately after washing the vehicle. Anticipate longer stopping distance to avoid a possible accident.

STORAGE GUIDE

Extended storage, such as for winter, requires that you take certain steps to reduce the effects of deterioration from non-use of the motorcycle.

In addition, necessary repairs should be made **BEFORE** storing the motorcycle; otherwise, these repairs may be forgotten by the time the motorcycle is removed from storage.

<STORAGE>

1. Change the engine oil and filter.
2. Empty the fuel tank into an approved gasoline container using a commercially available hand siphon or an equivalent method.
3. If storage will last more than one month, carburetor draining is very important, to assure proper performance after storage.

⚠ CAUTION

- Gasoline is extremely flammable and is explosive under certain conditions. Perform this operation in a well-ventilated area with the engine stopped. Do not smoke or allow flames or sparks in the area where gasoline is drained or stored and where the fuel tank is refueled.

4. Remove the battery. Store in an area protected from freezing temperatures and direct sunlight. Slow charge the battery once a month.
5. Wash and dry the motorcycle. Wax all painted surfaces.
6. Inflate the tires to their recommended pressures. Place the motorcycle on blocks to raise both tires off the ground.
7. Cover the motorcycle (don't use plastic or other coated materials) and store in an unheated area, free of dampness with a minimum of daily temperature variation. Do not store the motorcycle in direct sunlight.

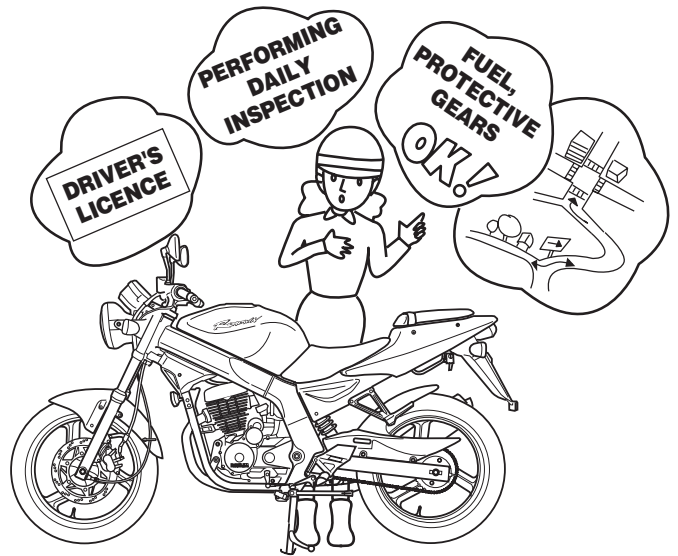
<REMOVAL FROM STORAGE>

1. Uncover and clean the motorcycle.
2. Change the engine oil if more than 4 months have passed since the start of storage.
3. Charge the battery as required. Install the battery.
4. Perform all Self Inspections Before Operation checks (page 19).
Test ride the motorcycle at low speeds in a safe riding area away from traffic.

SAFE DRIVING

PREPARATION BEFORE DRIVING

- Performing daily inspection
- Putting on the protective gears (Helmet, glove, goggles, etc.)
- Bringing the driver's licence
- Determinating the path to the desired destination

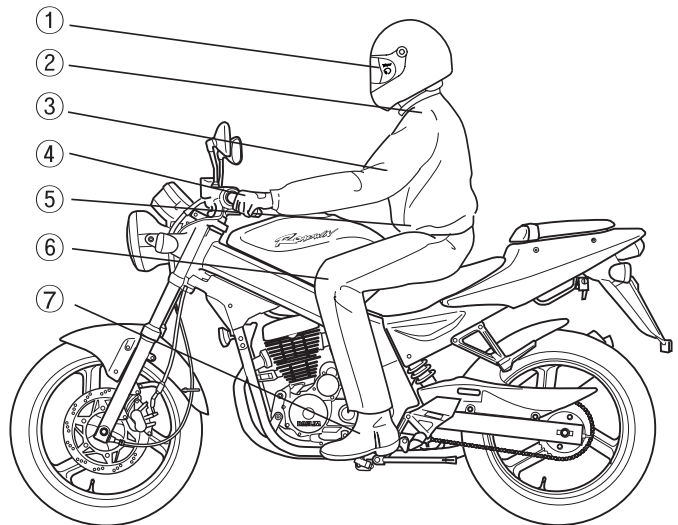


DRIVING METHOD

DRIVING POSITION

The appropriate driving position is most important thing to driving safely.

- ① Eyes : Look at the front direction widely.
- ② Shoulders : Relieve the tension.
- ③ Arms : Relieve the tension and bend arms to inside and let them act as the spring.
- ④ Hands : Grip the handle the position away from the inside end of the handle with distance of one finger to facilitate the operation of the switch and lever.
- ⑤ Wrist : Keep the state to act freely without applying excessive force to the shoulder and arms.
- ⑥ Knees : Press the fuel tank slightly.
- ⑦ Feet : Place the feet to face the front parallel and make the step bar be placed in the center of feet.



PRECAUTION WHEN DRIVING

- Secure the safe distance.
- Drive protectively.
- Do not obstruct the traffic.
- Do not drive on the pedestrian way or walkway.
- Drive on the left driveway when passing away.
- Make sure that you can apply the brake anytime.
- Always apply the brake when stopping temporarily.
- Do not drive excessively long distance and take enough break.
- If any abnormality is found, stop driving and contact service center to inspect the vehicle.
- Restart the vehicle after 2~3 min when it is turned over.
- Always turn on the headlight at night.

STARTING

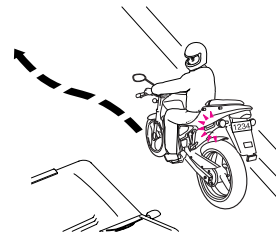
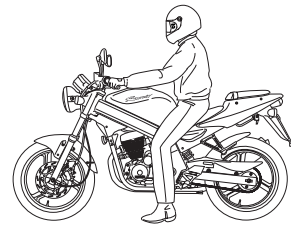
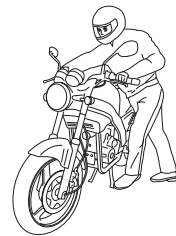
Prior to starting always look around to avoid accident.

- ① Get on the vehicle after pulling back the stand.
- ② Start driving slowly after turning on the winker and releasing the brake while ensuring the safety around the vehicle.

⚠ CAUTION

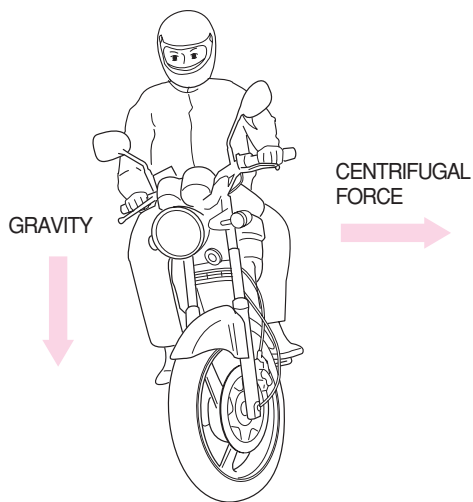
- Return the side stand to its original position. Keep driving without doing this may cause turnover accident.
- Drive the vehicle only on the driveway. Driving on the walkway can cause accident. Also, if the wheel is transformed when advancing directly to the walkway, the vehicle can be overturned resulting in injury of the driver due to the driving instability.
- Overspeed driving on the unpaved road can cause the vehicle to be overturned resulting in injury of the driver due to the driving instability.
- Do not drive in the gravel road. If any gravel enters the wheel or engine case, the vehicle can be overturned resulting in injury of the driver.
- If possible, do not drive close to the sea or on the road where calcium chloride is treated.

The muffler, external parts and welded parts can be corroded rapidly, and also in case of damage of the frame, the vehicle can be overturned resulting in injury of the driver.



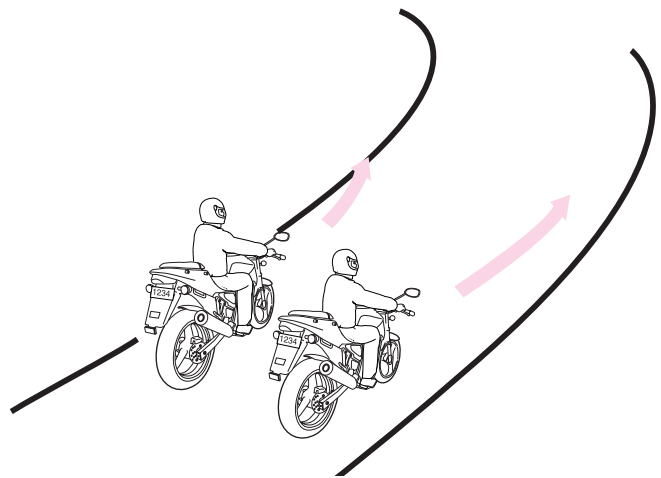
TURNING METHOD

PRINCIPLE OF TURN



The basic principle of turn is balancing using the centrifugal force which makes vehicle go outside and the gravity which makes vehicle fall inside.

EFFECT OF SPEED



The centrifugal force increases in inverse portion to the radius of a curve and in portion to the square speed. Decelerate prior to entering the curved way to reduce the centrifugal force.

3 POSITIONS OF TURNING

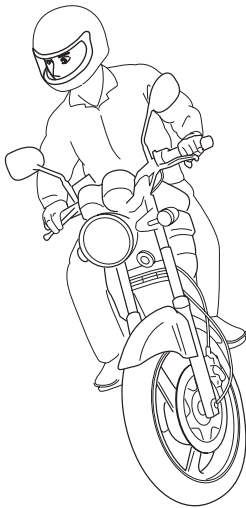
The basic principle of turn is balancing using combined force of the centrifugal force and the gravity.

All 3 positions require straightening the head and keeping the eyes horizontally.

< LEAN-WITH >

This is a turning position with motorcycle and driver in a line.

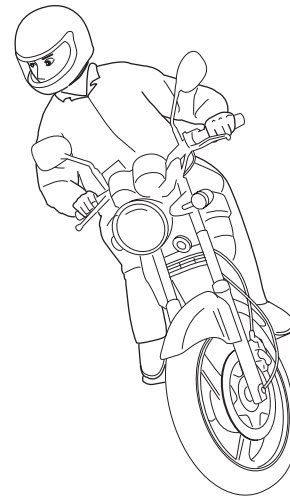
This position is the most natural and exact, so driver must learn it thoroughly.



< LEAN-IN >

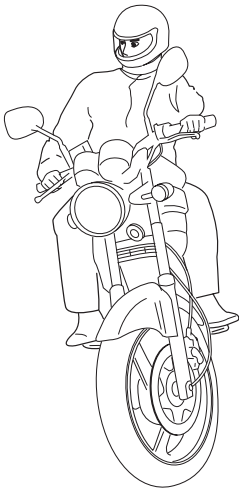
This is a turning position with driver leaned inside more than motorcycle. This position is adequate to drive on the rained or slippery road because it has best road holding.

However, special attention is required because front visual field is poor when driver leans inside more than motorcycle.

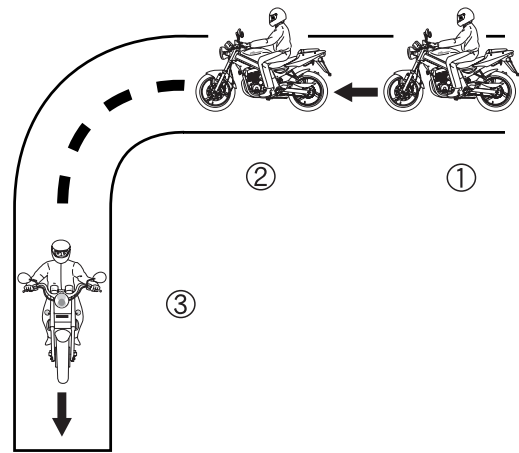


< LEAN-OUT >

This is a turning position with motorcycle leaned inside more than driver, which is opposite to the lean-in position. With this position, quick turn is well performed and driver can obtain wide front visual field adequate to drive on the rained or slippery road because it has best road holding. However, special attention is required because there is danger of slipping on the bad holding road.



TURNING METHOD



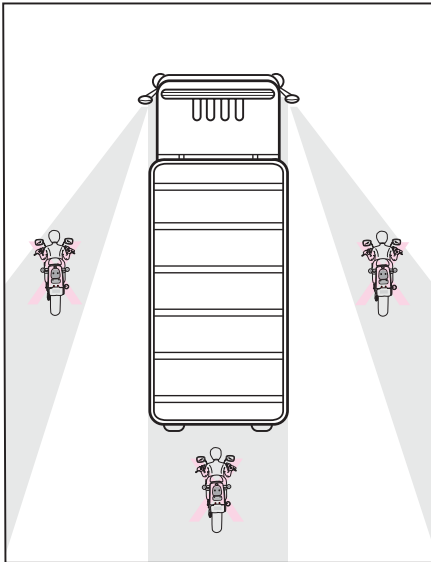
- ① Turn the throttle grip to its original position and decelerate using both front and rear brakes.
- ② Lean the vehicle toward inside of turn circle while driving slowly at constant speed.
- ③ Accelerate gradually.

PRECAUTION WHEN TURNING

Do not drive inside of large truck's turn circle.

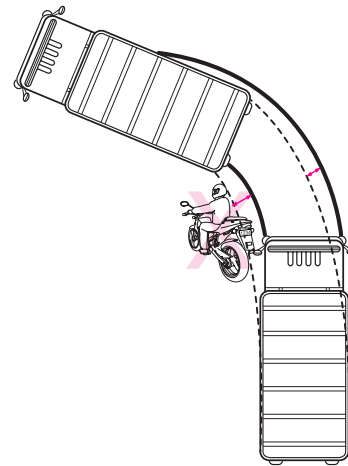
< DEAD ANGLE ZONE >

Dead angle zone is the sight range which cannot be identified by driver and increases in proportion to the width of the vehicle.



< DISTANCE BETWEEN THE FRONT AND REAR WHEEL TURN >

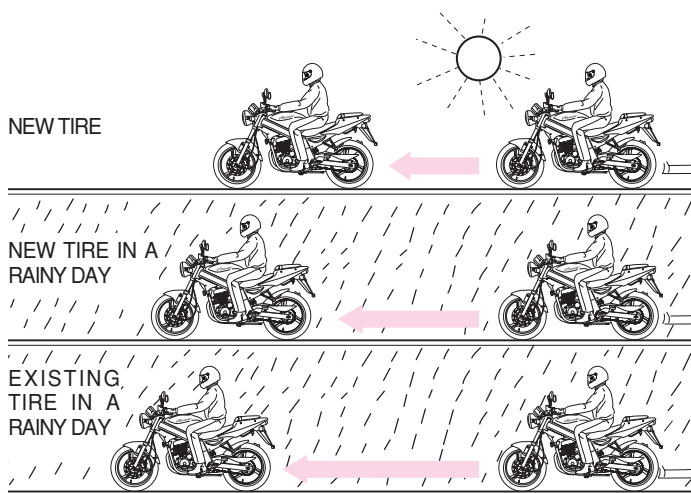
It is distance between path of the front and rear wheel and increases in proportion to the length of the vehicle.



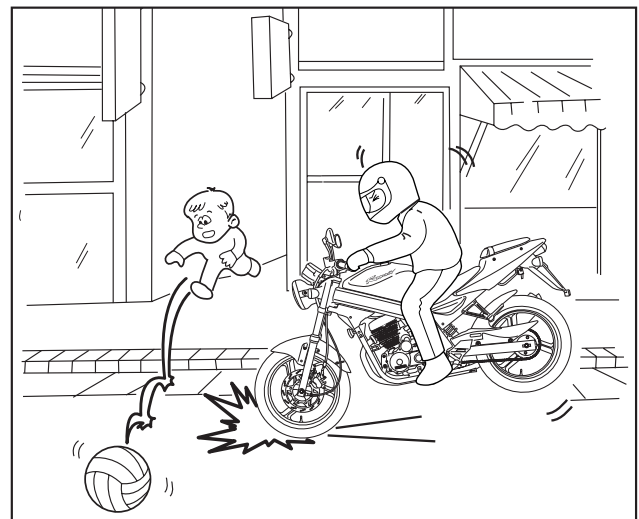
BRAKING METHOD

BASIC PRINCIPLE OF BRAKE (FRICTION FORCE)

- Vehicle is braked using friction between road surface and tires.
- Braking distance increases 1.5 times on wet road and 3 times on icy road because friction force of road surface is decreased.



RESTRAINT OF BRAKE EFFECT (INERTIA)



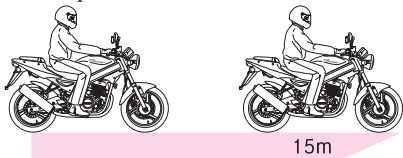
Due to the inertia, vehicle does not stop immediately after applying the brake.

BRAKING METHOD

- Turn the throttle grip to its original position and decelerate using the engine brake.
- Erect the vehicle straight.
- Brake using both front and rear brakes.

COMPARISON OF BRAKING DISTANCE

· Vehicle speed : 50 km/h



When using both front and rear brakes



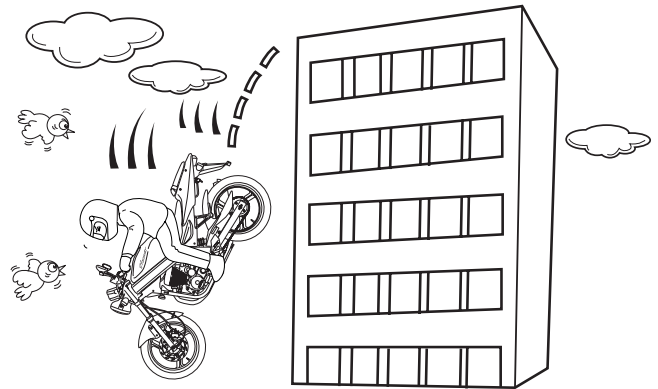
When using only front brake



When using only rear brake

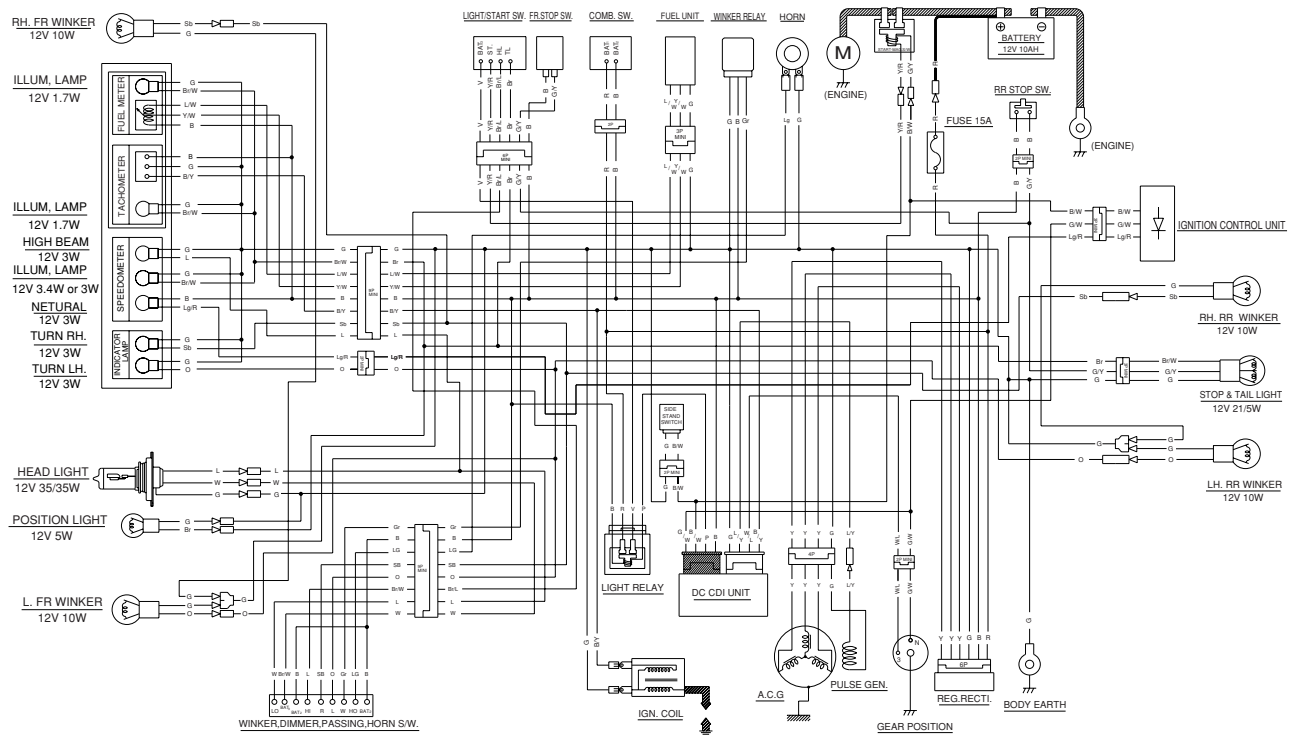
IMPACT WHEN COLLISION

Learn the proper braking method to prevent accident.



Impact increases in proportion to the speed and weight. The impact when collision to concrete wall at 50 km/h is same as one when falling from the height of 10m.

WIRING DIAGRAM



COMB. SW.	START	HAZARD	WINKER	HORN	DIMMER	PASSING	SIDE STAND SW.	START	LIGHTING
BAT. BAT.	ST. BAT.	W R L	W R L	Hc. BAT.	HI HI Lo BAT.	BAT. HI	E CDI	ST. BAT.	BAT. TL HL
ON ○	FREE ○	OFF ○	R ○	FREE ○	HI ○	HI ○	FREE ○	FREE ○	OFF ○
OFF ○	PUSH ○	HAZ ○	N ○	PUSH ○	(N) ○	STAND ○	PUSH ○	P ○	○
LOCK ○	COLOR Y/R B	COLOR Gf Sb O	L ○	COLOR Lg B	Lo ○	COLOR B L	COLOR Y/R B	H ○	○
COLOR R B			COLOR Gr Sb O	COLOR Lg B	L W B	COLOR B L	COLOR G B/W	COLOR V Br	Bh L

B	BLACK	V	VIOLET
Y	YELLOW	Br	BROWN
L	BLUE	O	ORANGE
G	GREEN	Sb	SKY BLUE
R	RED	Lg	LIGHT GREEN
W	WHITE	P	PINK
Gr	GRAY		

COLOR COMB : GROUND/MARKING

ROADWAY

OWNER'S MANUAL

11. 2003 PRINTED
11. 2003 PUBLICATION

NO COPY

 **DAELIM MOTOR CO., LTD.**



■ HEAD OFFICE (FACTORY)
#58, SUNG SAN-DONG, CHANG WON, KYUNGNAM, KOREA
TEL : (82-55) 239-7000 / FAX : (82-2) 467-9997

OM48-0311-01E